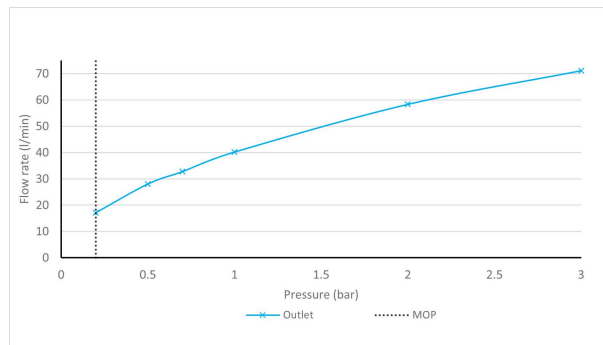


# SPECIFICATION SHEET

COLLECTION: CAMEO  
PRODUCT CODE: CAM-137-MB



The flow rate displayed is calculated using ideal system conditions. This result should only be taken as an indication as the flow rate may vary depending on the specific in-situ configuration.

## TAP TYPE

Basin Mixer

## HANDLES

2 Handle

## WITH WATER FLOW STRAIGHTENER

No

## CONNECTIONS / FITTINGS

2 x 3/4" 48.5mm male threaded connections

## SPARE PARTS

cold ceramic cartridge C-306-RTC, hot ceramic cartridge C-306-LTC

## DECK HOLE DRILL DIAMETER

28-30mm

## STYLE

Square

## HOLES

2 Hole

## MOUNTING

Deck Mounted

tel: 01934 744466  
email: sales@vado.com  
www.vado.com

WHERE INSPIRATION FLOWS  
TAPS | SHOWERS | ACCESSORIES



# SPECIFICATION SHEET

COLLECTION: CAMEO  
PRODUCT CODE: CAM-137-MB

## PLUMBING SYSTEM SUITABILITY

Gravity System

## COLLECTION NAME

Cameo

## FINISH

Matt Black

## MAXIMUM OPERATING PRESSURE

5.0 Bar HP

## MINIMUM OPERATING PRESSURE

0.2 Bar LP

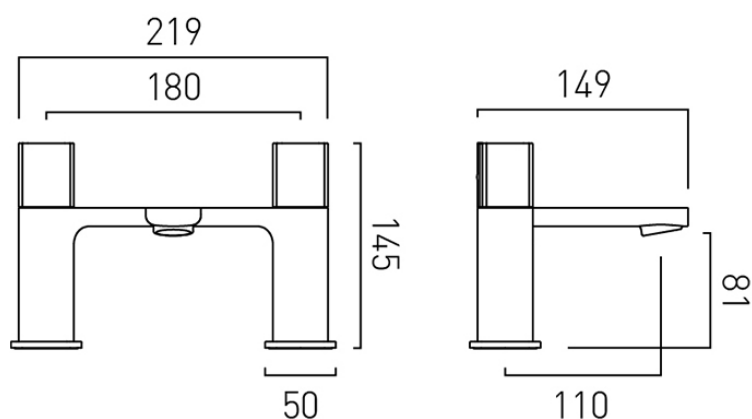
## GUARANTEE

10 Year Guarantee



# TECHNICAL DRAWING

COLLECTION: CAMEO  
PRODUCT CODE: CAM-137-MB



tel: 01934 744466  
email: sales@vado.com  
www.vado.com

WHERE INSPIRATION FLOWS  
TAPS | SHOWERS | ACCESSORIES

