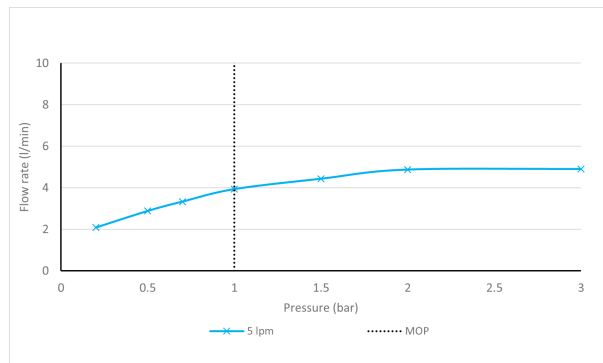


# SPECIFICATION SHEET

COLLECTION: CAMEO

PRODUCT CODE: CAM-200M/CC-MB



The flow rate displayed is calculated using ideal system conditions. This result should only be taken as an indication as the flow rate may vary depending on the specific in-situ configuration.

## TAP TYPE

Basin Mixer

## COLLECTION NAME

Cameo

## FINISH

Matt Black

## RECOMMENDED FLOW REGULATOR

5 l/min Flow Regulator

## MINIMUM OPERATING PRESSURE

1.0 Bar MP

## MAXIMUM OPERATING PRESSURE

5.0 Bar HP

## GUARANTEE

10 Year Guarantee

## HANDLES

Single Lever

## WITH ECOTURN COLD START TECHNOLOGY

No

tel: 01934 744466  
email: sales@vado.com  
www.vado.com

WHERE INSPIRATION FLOWS  
TAPS | SHOWERS | ACCESSORIES



# SPECIFICATION SHEET

COLLECTION: CAMEO

PRODUCT CODE: CAM-200M/CC-MB

WITH WATER FLOW STRAIGHTENER

No

WITH WATER FLOW AERATOR

Yes

CONNECTIONS / FITTINGS

2 x 1/2" 450mm flexipipe connection

SPARE PARTS

ceramic cartridge C-002-N25

DECK HOLE DRILL DIAMETER

35mm

WASTE

Universal Basin Waste

STYLE

Square

HOLES

1 Hole

MOUNTING

Deck Mounted

PLUMBING SYSTEM SUITABILITY

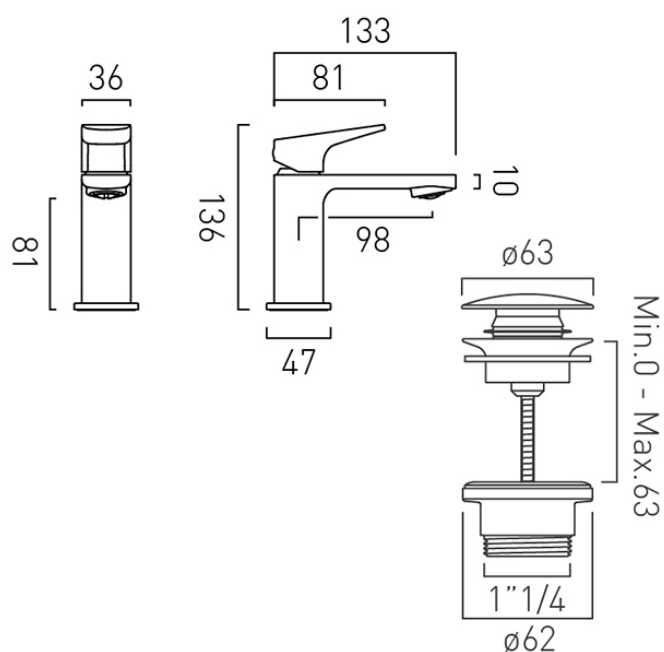
Combination Boiler



# TECHNICAL DRAWING

COLLECTION: CAMEO

PRODUCT CODE: CAM-200M/CC-MB



tel: 01934 744466  
email: sales@vado.com  
www.vado.com

WHERE INSPIRATION FLOWS  
TAPS | SHOWERS | ACCESSORIES

