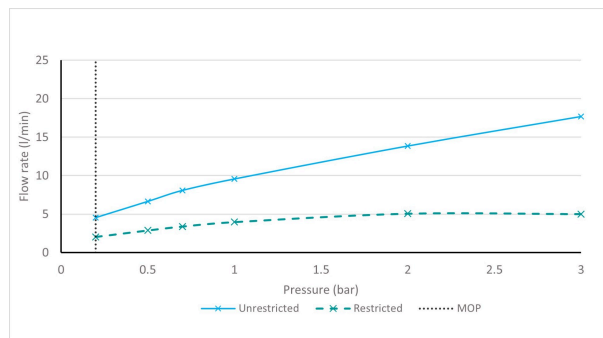


SPECIFICATION SHEET

COLLECTION: CAMEO

PRODUCT CODE: CAM-209S-LP-SBR



The flow rate displayed is calculated using ideal system conditions. This result should only be taken as an indication as the flow rate may vary depending on the specific in-situ configuration.

TAP TYPE

Basin Mixer

COLLECTION NAME

Cameo

FINISH

Satin Brass

MINIMUM OPERATING PRESSURE

0.2 Bar LP

MAXIMUM OPERATING PRESSURE

5.0 Bar HP

GUARANTEE

10 Year Guarantee

HANDLES

Single Lever

MIN-MAX WALL MOUNT

53-73mm

WITH ECOTURN COLD START TECHNOLOGY

No

tel: 01934 744466
email: sales@vado.com
www.vado.com

WHERE INSPIRATION FLOWS
TAPS | SHOWERS | ACCESSORIES



SPECIFICATION SHEET

COLLECTION: CAMEO

PRODUCT CODE: CAM-209S-LP-SBR

WITH WATER FLOW STRAIGHTENER

Yes

WITH WATER FLOW AERATOR

No

CONNECTIONS / FITTINGS

2 x 1/2" inlets

SPARE PARTS

ceramic cartridge C-002-N30

WALL HOLE DRILL DIAMETER

spout 30-60mm handle 50-60mm

WASTE

None (Smooth Bodied)

STYLE

Square

HOLES

2 Hole

MOUNTING

Wall Mounted

PLUMBING SYSTEM SUITABILITY

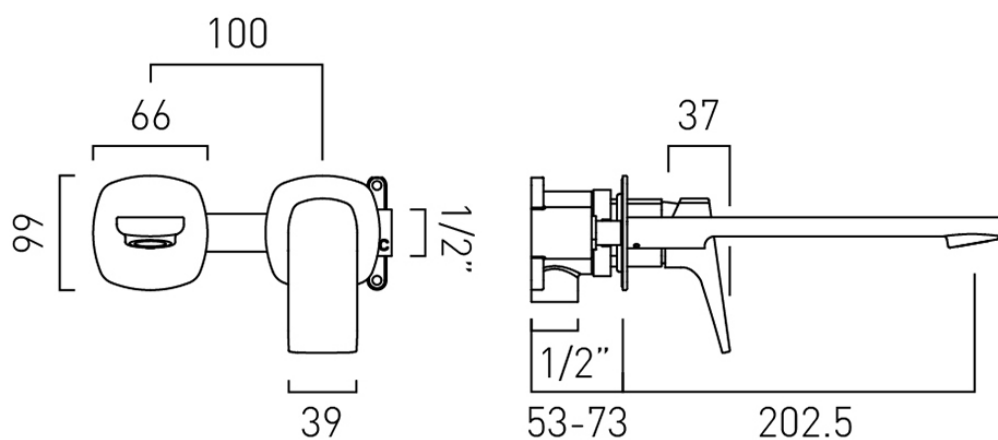
Gravity System



TECHNICAL DRAWING

COLLECTION: CAMEO

PRODUCT CODE: CAM-209S-LP-SBR



tel: 01934 744466
email: sales@vado.com
www.vado.com

WHERE INSPIRATION FLOWS
TAPS | SHOWERS | ACCESSORIES

