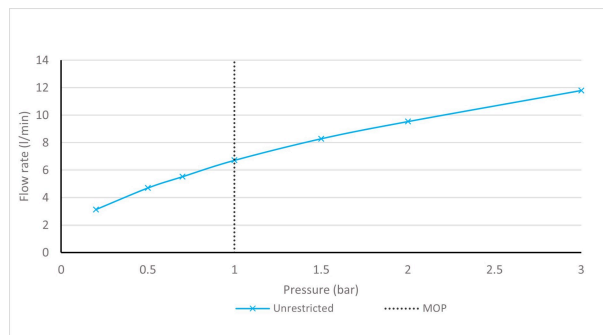


SPECIFICATION SHEET

COLLECTION: CAMEO
PRODUCT CODE: CAM-150-MB



TAP TYPE

Kitchen Tap

PLUMBING SYSTEM SUITABILITY

Combination Boiler

HOLES

1 Hole

FINISH

Matt Black

COLLECTION NAME

Cameo

STYLE

Square

SPARE PARTS

ceramic cartridge C-002-N25

WITH WATER FLOW AERATOR

No

WITH SWIVEL SPOUT

with Swivel Spout

tel: 01934 744466
email: sales@vado.com
www.vado.com

WHERE INSPIRATION FLOWS
TAPS | SHOWERS | ACCESSORIES



SPECIFICATION SHEET

COLLECTION: CAMEO

PRODUCT CODE: CAM-150-MB

WITH WATER FLOW STRAIGHTENER

No

MOUNTING

Deck Mounted

MINIMUM OPERATING PRESSURE

1.0 Bar MP

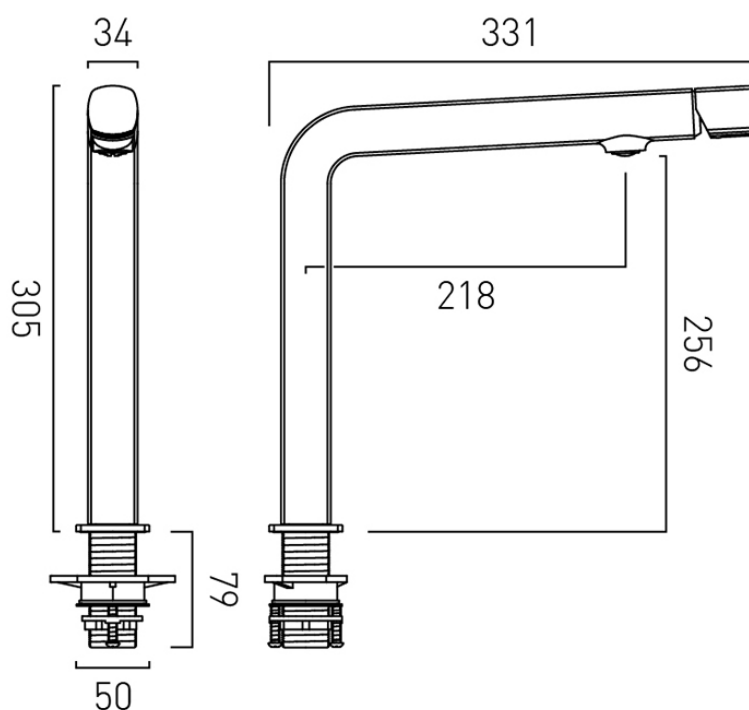
tel: 01934 744466
email: sales@vado.com
www.vado.com

WHERE INSPIRATION FLOWS
TAPS | SHOWERS | ACCESSORIES



TECHNICAL DRAWING

COLLECTION: CAMEO
PRODUCT CODE: CAM-150-MB



tel: 01934 744466
email: sales@vado.com
www.vado.com

WHERE INSPIRATION FLOWS
TAPS | SHOWERS | ACCESSORIES

