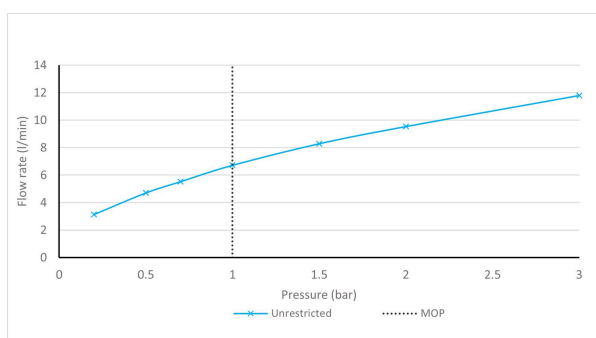


# SPECIFICATION SHEET

COLLECTION: CAMEO  
PRODUCT CODE: CAM-150-MW



The flow rate displayed is calculated using ideal system conditions. This result should only be taken as an indication as the flow rate may vary depending on the specific in-situ configuration.

## TAP TYPE

Kitchen Tap

## PLUMBING SYSTEM SUITABILITY

Combination Boiler

## HOLES

1 Hole

## FINISH

Matt White

## COLLECTION NAME

Cameo

## STYLE

Square

## SPARE PARTS

ceramic cartridge C-002-N25

## WITH WATER FLOW AERATOR

No

## WITH SWIVEL SPOUT

with Swivel Spout

tel: 01934 744466  
email: sales@vado.com  
www.vado.com

WHERE INSPIRATION FLOWS  
TAPS | SHOWERS | ACCESSORIES



# SPECIFICATION SHEET

COLLECTION: CAMEO  
PRODUCT CODE: CAM-150-MW

WITH WATER FLOW STRAIGHTENER

No

MOUNTING

Deck Mounted

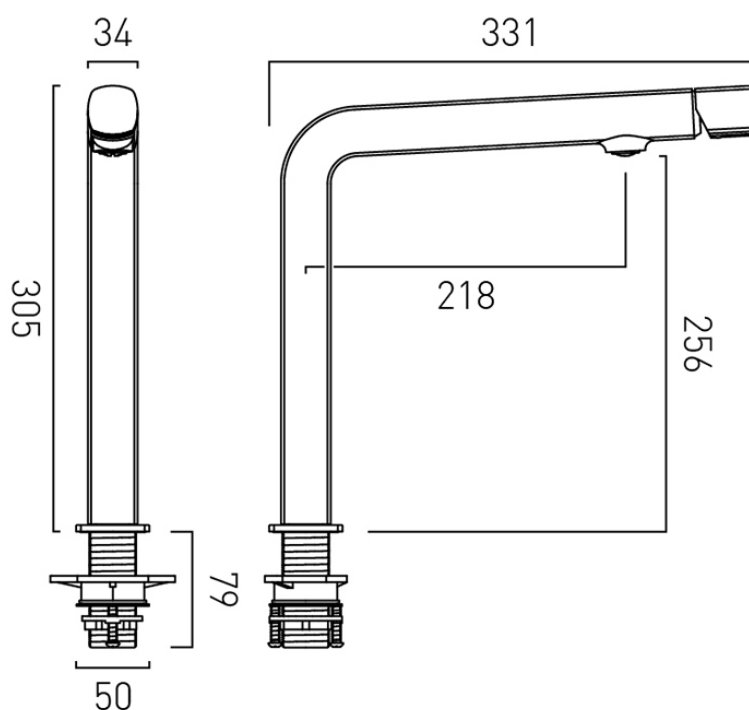
MINIMUM OPERATING PRESSURE

1.0 Bar MP



# TECHNICAL DRAWING

COLLECTION: CAMEO  
PRODUCT CODE: CAM-150-MW



tel: 01934 744466  
email: sales@vado.com  
www.vado.com

WHERE INSPIRATION FLOWS  
TAPS | SHOWERS | ACCESSORIES

