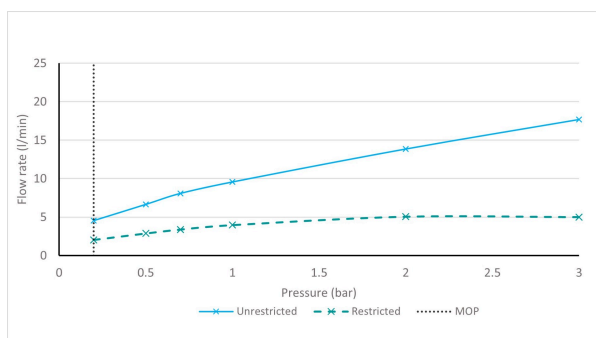
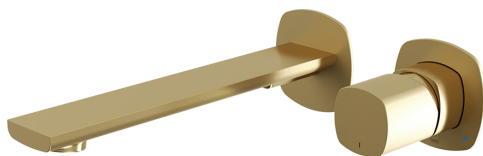


SPECIFICATION SHEET

COLLECTION: CAMEO
PRODUCT CODE: CAM-109S-SBR



The flow rate displayed is calculated using ideal system conditions. This result should only be taken as an indication as the flow rate may vary depending on the specific in-situ configuration.

TAP TYPE

Basin Mixer

FINISH

Satin Brass

COLLECTION NAME

Cameo

GUARANTEE

10 Year Guarantee

PLUMBING SYSTEM SUITABILITY

Combination Boiler

MINIMUM OPERATING PRESSURE

1.0 Bar MP

MAXIMUM OPERATING PRESSURE

5.0 Bar HP

HANDLES

Single Lever

HOLES

2 Hole

tel: 01934 744466
email: sales@vado.com
www.vado.com

WHERE INSPIRATION FLOWS
TAPS | SHOWERS | FURNITURE



SPECIFICATION SHEET

COLLECTION: CAMEO
PRODUCT CODE: CAM-109S-SBR

MOUNTING

Wall Mounted

MIN-MAX WALL MOUNT

53-73mm

WASTE

None (Smooth Bodied)

RECOMMENDED FLOW REGULATOR

5 l/min Flow Regulator

WITH ECOTURN COLD START TECHNOLOGY

No

WITH WATER FLOW STRAIGHTENER

No

WITH WATER FLOW AERATOR

Yes

CONNECTIONS / FITTINGS

2 x 1/2" inlets

WALL HOLE DRILL DIAMETER

spout 30-60mm handle 50-60mm, tile-to-mortar guard included

SPARE PARTS

ceramic cartridge C-002-N30

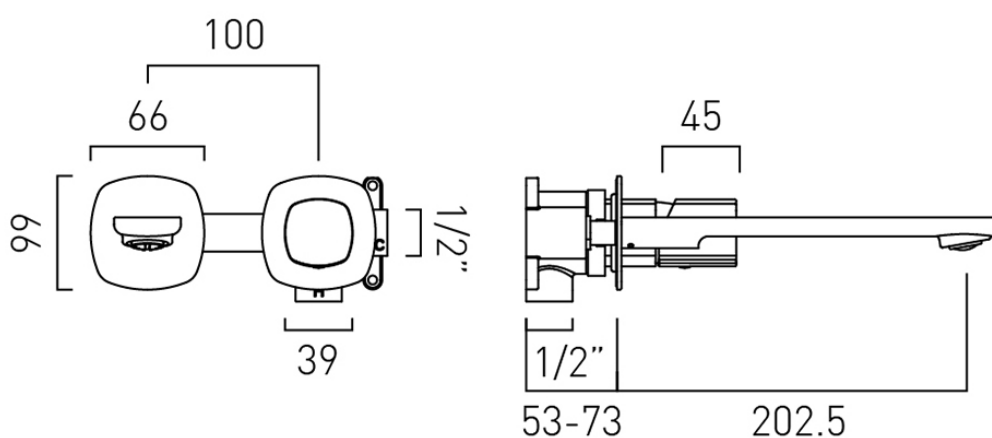
STYLE

Square



TECHNICAL DRAWING

COLLECTION: CAMEO
PRODUCT CODE: CAM-109S-SBR



tel: 01934 744466
email: sales@vado.com
www.vado.com

WHERE INSPIRATION FLOWS
TAPS | SHOWERS | FURNITURE

