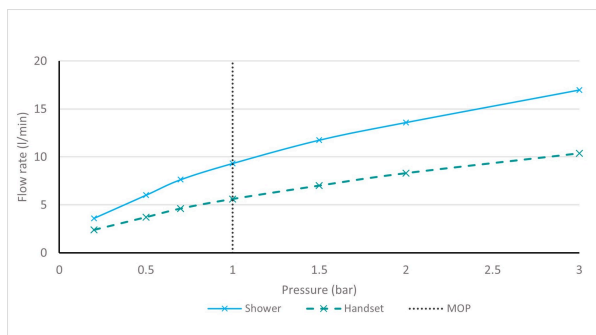


# SPECIFICATION SHEET

COLLECTION: CAMEO

PRODUCT CODE: CAM-149T-RRK-CP



The flow rate displayed is calculated using ideal system conditions. This result should only be taken as an indication as the flow rate may vary depending on the specific in-situ configuration.

## SHOWER TYPE

Shower Column

## WITH SHOWER KIT

No

## WITH AIR-INJECTION TECHNOLOGY

No

## VALVE TYPE

Exposed

## WITH CROSS-SPRAY TECHNOLOGY

No

## WITH EASY-FIT BRACKETS

Yes

## ADJUSTABLE FIXING FOR EASY RETRO FIT

No

## WITH INTEGRATED DIVERTER

Yes

## SHOWER HEAD SIZE

300mm x 200mm

tel: 01934 744466  
email: sales@vado.com  
www.vado.com

WHERE INSPIRATION FLOWS  
TAPS | SHOWERS | ACCESSORIES



# SPECIFICATION SHEET

COLLECTION: CAMEO

PRODUCT CODE: CAM-149T-RRK-CP

## WITH THERMOSTATIC TECHNOLOGY

Yes

## WITH WATER FLOW STRAIGHTENER

No

## INSTALLATION TOLERANCES

476mm height adjustment tolerance: min 786mm – max 1262mm, 24mm depth adjustment tolerance: min 66mm – max 90mm

## CONNECTIONS / FITTINGS

3/4" easy-fit brackets included

## SPARE PARTS

thermostatic cartridge V-704-34S, flow cartridge C-801-33/2P

## STYLE

Square

## MOUNTING

Wall Mounted

## PLUMBING SYSTEM SUITABILITY

Pressurised System

## COLLECTION NAME

Cameo

## FINISH

Chrome

## MINIMUM OPERATING PRESSURE

1.0 Bar MP

## MAXIMUM OPERATING PRESSURE

5.0 Bar HP

# SPECIFICATION SHEET

COLLECTION: CAMEO

PRODUCT CODE: CAM-149T-RRK-CP

## GUARANTEE

15 Year Guarantee

tel: 01934 744466  
email: [sales@vado.com](mailto:sales@vado.com)  
[www.vado.com](http://www.vado.com)

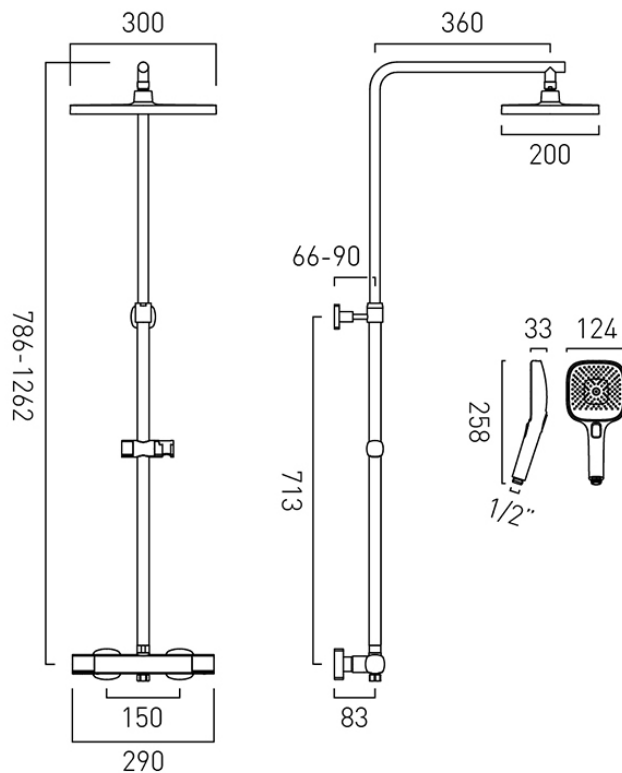
WHERE INSPIRATION FLOWS  
TAPS | SHOWERS | ACCESSORIES



# TECHNICAL DRAWING

COLLECTION: CAMEO

PRODUCT CODE: CAM-149T-RRK-CP



tel: 01934 744466  
email: sales@vado.com  
www.vado.com

WHERE INSPIRATION FLOWS  
TAPS | SHOWERS | ACCESSORIES

