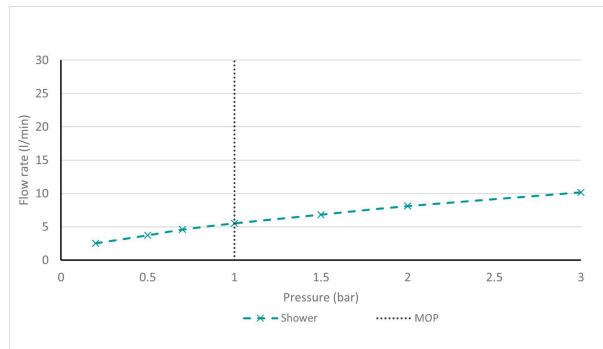


# SPECIFICATION SHEET

COLLECTION: CAMEO  
PRODUCT CODE: CAM-SFMK-SBR



The flow rate displayed is calculated using ideal system conditions. This result should only be taken as an indication as the flow rate may vary depending on the specific in-situ configuration.

## SHOWER TYPE

Mini Shower Kit

## PLUMBING SYSTEM SUITABILITY

Gravity System

## MOUNTING

Wall Mounted

## STYLE

Round

## HOSE

150cm

## FUNCTIONS

Single Function

## RUB-CLEAN NOZZLES

Yes

## WITH OUTLET / BRACKET

with Bracket

## COLLECTION NAME

Cameo

tel: 01934 744466  
email: [sales@vado.com](mailto:sales@vado.com)  
[www.vado.com](http://www.vado.com)

WHERE INSPIRATION FLOWS  
TAPS | SHOWERS | ACCESSORIES



# SPECIFICATION SHEET

COLLECTION: CAMEO  
PRODUCT CODE: CAM-SFMK-SBR

## FINISH

Satin Brass

## MINIMUM OPERATING PRESSURE

0.2 Bar LP

## GUARANTEE

10 Year Guarantee

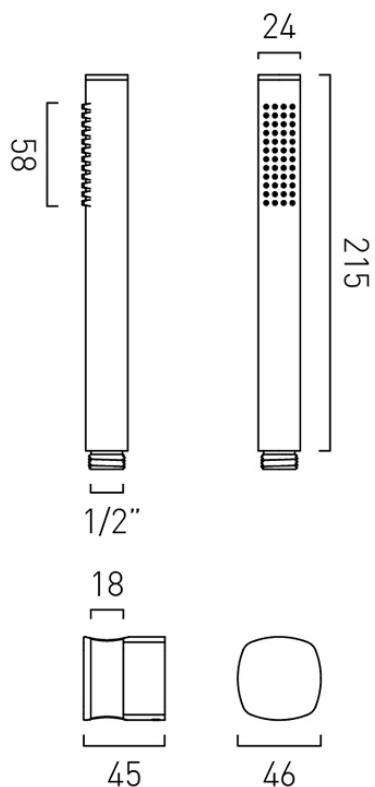
tel: 01934 744466  
email: [sales@vado.com](mailto:sales@vado.com)  
[www.vado.com](http://www.vado.com)

WHERE INSPIRATION FLOWS  
TAPS | SHOWERS | ACCESSORIES



# TECHNICAL DRAWING

COLLECTION: CAMEO  
PRODUCT CODE: CAM-SFMK-SBR



tel: 01934 744466  
email: [sales@vado.com](mailto:sales@vado.com)  
[www.vado.com](http://www.vado.com)

WHERE INSPIRATION FLOWS  
TAPS | SHOWERS | ACCESSORIES

