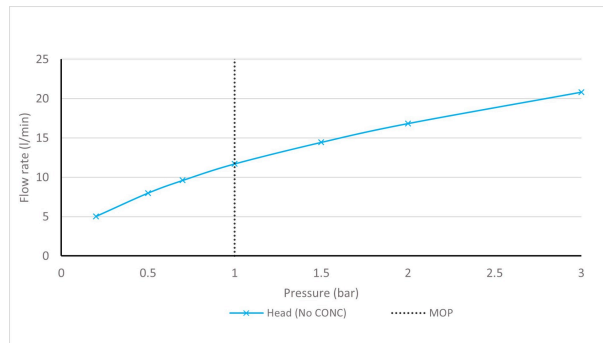


SPECIFICATION SHEET

COLLECTION: CAMEO
PRODUCT CODE: CAM-HEAD/SA-CP



SHOWER TYPE

Shower Head

PLUMBING SYSTEM SUITABILITY

Combination Boiler

MOUNTING

Wall Mounted

STYLE

Square

WITH AIR-INJECTION TECHNOLOGY

No

FUNCTIONS

Single Function

RUB-CLEAN NOZZLES

Yes

SELF-CLEANING

No

WITH SHOWER ARM

Wall Mounted Arm

tel: 01934 744466
email: sales@vado.com
www.vado.com

WHERE INSPIRATION FLOWS
TAPS | SHOWERS | ACCESSORIES



SPECIFICATION SHEET

COLLECTION: CAMEO
PRODUCT CODE: CAM-HEAD/SA-CP

SHOWER HEAD SIZE

200mm x 300mm

COLLECTION NAME

Cameo

FINISH

Chrome

MINIMUM OPERATING PRESSURE

0.2 Bar LP

GUARANTEE

15 Year Guarantee

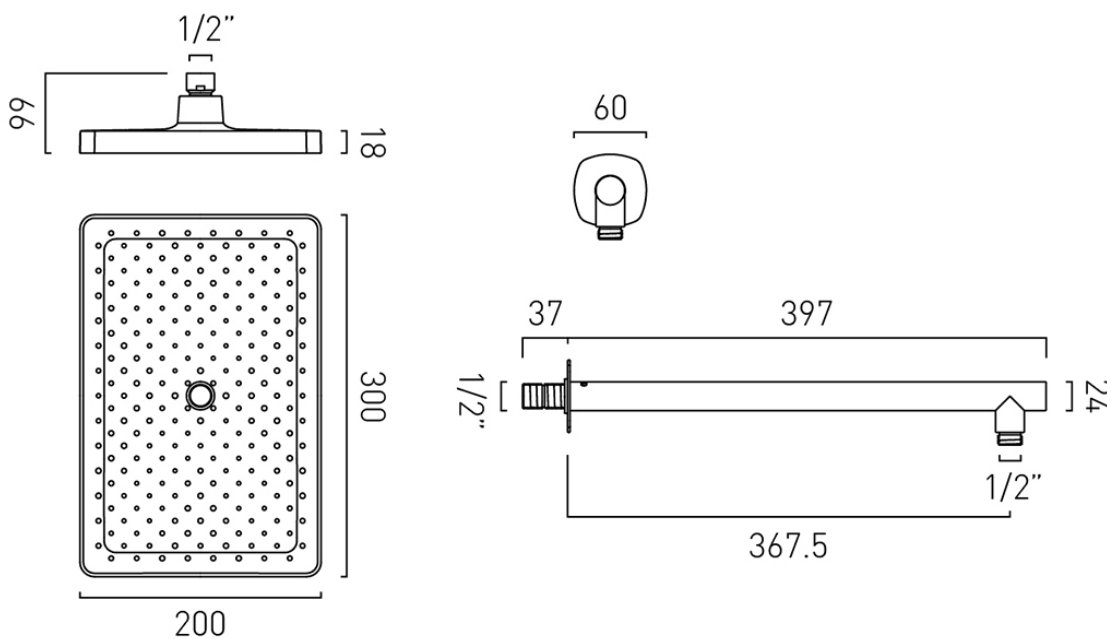
tel: 01934 744466
email: sales@vado.com
www.vado.com

WHERE INSPIRATION FLOWS
TAPS | SHOWERS | ACCESSORIES



TECHNICAL DRAWING

COLLECTION: CAMEO
PRODUCT CODE: CAM-HEAD/SA-CP



tel: 01934 744466
email: sales@vado.com
www.vado.com

WHERE INSPIRATION FLOWS
TAPS | SHOWERS | ACCESSORIES

