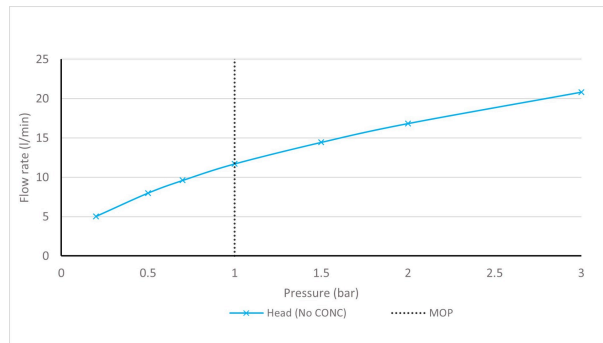


# SPECIFICATION SHEET

COLLECTION: CAMEO

PRODUCT CODE: CAM-HEAD/SA-SBR



## SHOWER TYPE

Shower Head

## PLUMBING SYSTEM SUITABILITY

Combination Boiler

## MOUNTING

Wall Mounted

## STYLE

Square

## WITH AIR-INJECTION TECHNOLOGY

No

## FUNCTIONS

Single Function

## RUB-CLEAN NOZZLES

Yes

## SELF-CLEANING

No

## WITH SHOWER ARM

Wall Mounted Arm

tel: 01934 744466  
email: sales@vado.com  
www.vado.com

WHERE INSPIRATION FLOWS  
TAPS | SHOWERS | ACCESSORIES



# SPECIFICATION SHEET

COLLECTION: CAMEO  
PRODUCT CODE: CAM-HEAD/SA-SBR

SHOWER HEAD SIZE

200mm x 300mm

COLLECTION NAME

Cameo

FINISH

Satin Brass

MINIMUM OPERATING PRESSURE

0.2 Bar LP

GUARANTEE

10 Year Guarantee

tel: 01934 744466  
email: [sales@vado.com](mailto:sales@vado.com)  
[www.vado.com](http://www.vado.com)

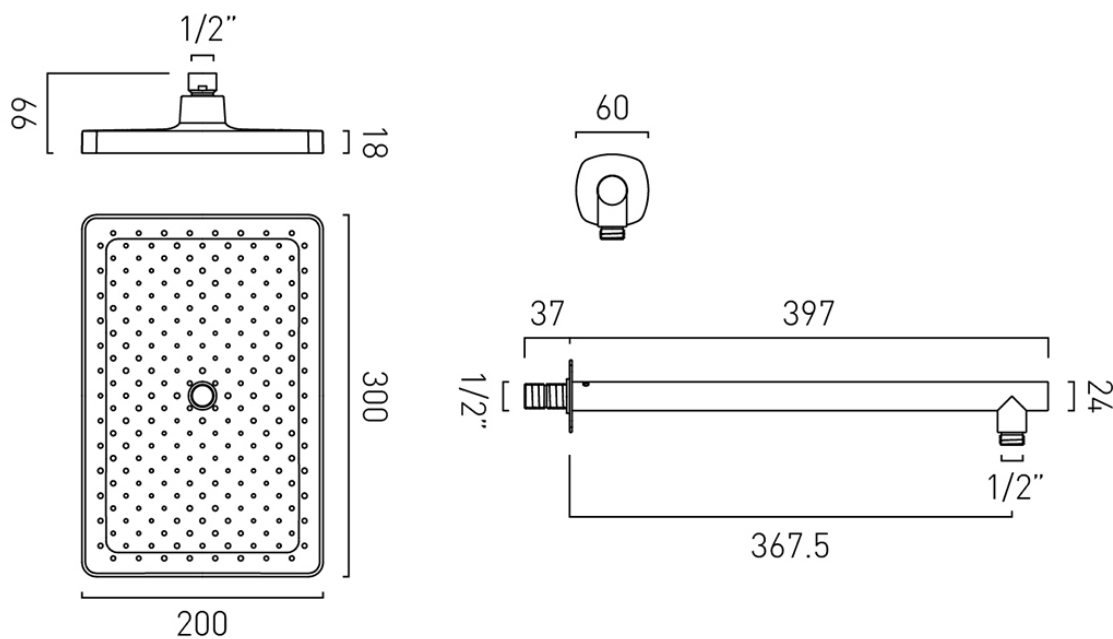
WHERE INSPIRATION FLOWS  
TAPS | SHOWERS | ACCESSORIES



# TECHNICAL DRAWING

COLLECTION: CAMEO

PRODUCT CODE: CAM-HEAD/SA-SBR



tel: 01934 744466  
email: sales@vado.com  
www.vado.com

WHERE INSPIRATION FLOWS  
TAPS | SHOWERS | ACCESSORIES

