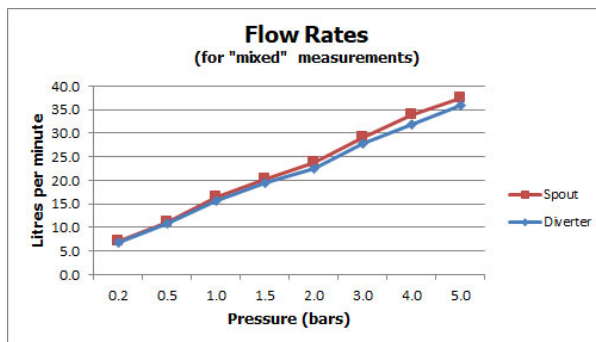


# SPECIFICATION SHEET

COLLECTION: CELSIUS  
PRODUCT CODE: CEL-131T-C/P



The flow rate displayed is calculated using ideal system conditions. This result should only be taken as an indication as the flow rate may vary depending on the specific in-situ configuration.

## TAP TYPE

Bath Shower Mixer

## WITH SHOWER KIT

No

## WITH EASY-FIT BRACKETS

No

## WITH INTEGRATED DIVERTER

No

## WITH THERMOSTATIC TECHNOLOGY

Yes

## FOR USE WITH BATH FILLER WASTE AND OVERFLOW

No

## WITH BATH SPOUT

Yes

## WITH AIR-INJECTION TECHNOLOGY

No

## WITH WATER FLOW STRAIGHTENER

No

tel: 01934 744466  
email: [sales@vado.com](mailto:sales@vado.com)  
[www.vado.com](http://www.vado.com)

WHERE INSPIRATION FLOWS  
TAPS | SHOWERS | ACCESSORIES



# SPECIFICATION SHEET

COLLECTION: CELSIUS  
PRODUCT CODE: CEL-131T-C/P

## WITH WATER FLOW AERATOR

Yes

## CONNECTIONS / FITTINGS

2x 3/4" 50mm threaded connection on legs

## SPARE PARTS

thermostatic cartridge V-704-34S diverter cartridge C-801-33/2SX

## DECK HOLE DRILL DIAMETER

28mm

## STYLE

Round

## HOLES

2 Hole

## MOUNTING

Deck Mounted

## PLUMBING SYSTEM SUITABILITY

Pumped System, Combination Boiler, Pressurised System

## COLLECTION NAME

Celsius

## FINISH

Chrome

## RECOMMENDED FLOW REGULATOR

FR-SHOWER/9-C/P

## MINIMUM OPERATING PRESSURE

1.5 Bar MP

# SPECIFICATION SHEET

COLLECTION: CELSIUS  
PRODUCT CODE: CEL-131T-C/P

## MAXIMUM OPERATING PRESSURE

5.0 Bar HP

## FLOW RATE AT 3.0 BAR FLOW PRESSURE

Spout: 29 l/min, Diverter: 27.9 l/min

## GUARANTEE

15 Year Guarantee

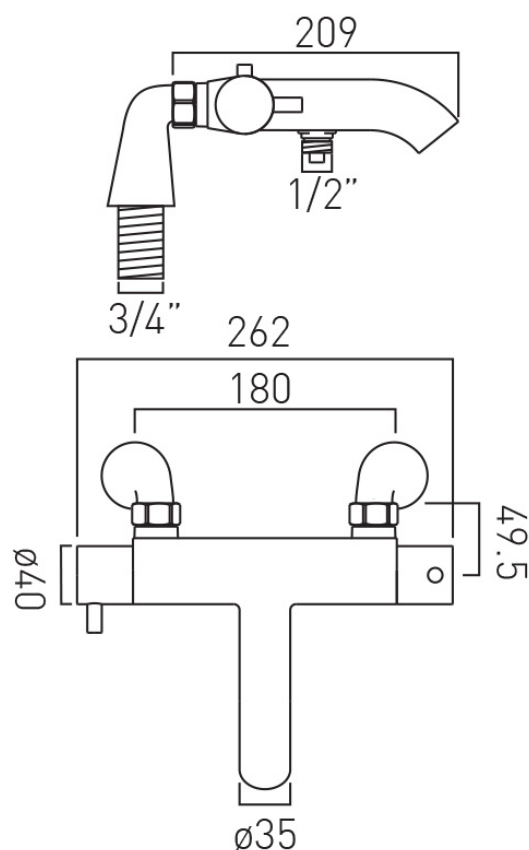
tel: 01934 744466  
email: [sales@vado.com](mailto:sales@vado.com)  
[www.vado.com](http://www.vado.com)

WHERE INSPIRATION FLOWS  
TAPS | SHOWERS | ACCESSORIES



# TECHNICAL DRAWING

COLLECTION: CELSIUS  
PRODUCT CODE: CEL-131T-C/P



tel: 01934 744466  
email: sales@vado.com  
www.vado.com

WHERE INSPIRATION FLOWS  
TAPS | SHOWERS | ACCESSORIES

