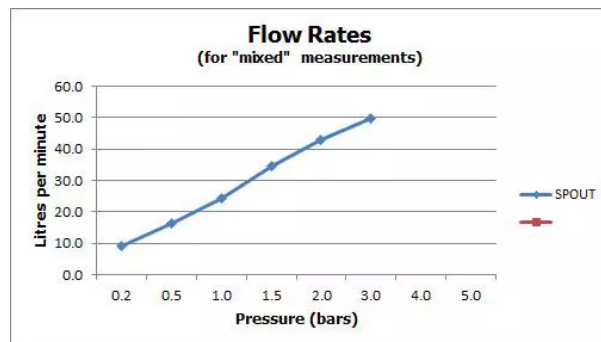


# SPECIFICATION SHEET

COLLECTION: PHOTON  
PRODUCT CODE: PHO-137-C/P



The flow rate displayed is calculated using ideal system conditions. This result should only be taken as an indication as the flow rate may vary depending on the specific in-situ configuration.

## TAP TYPE

Bath Filler

## WITH WATER FLOW STRAIGHTENER

Yes

## CONNECTIONS / FITTINGS

2 x 3/4" 59mm male threaded connections

## SPARE PARTS

cold ceramic cartridge C-302-RTC hot ceramic cartridge C-302-LTC

## DECK HOLE DRILL DIAMETER

2 x 28-30mm

## HOLES

2 Hole

## MOUNTING

Deck Mounted

## PLUMBING SYSTEM SUITABILITY

Gravity System, Pumped System, Combination Boiler, Pressurised System

## COLLECTION NAME

Photon

tel: 01934 744466  
email: sales@vado.com  
www.vado.com

WHERE INSPIRATION FLOWS  
TAPS | SHOWERS | ACCESSORIES



# SPECIFICATION SHEET

COLLECTION: PHOTON  
PRODUCT CODE: PHO-137-C/P

## FINISH

Chrome

## MAXIMUM OPERATING PRESSURE

5.0 Bar HP

## MINIMUM OPERATING PRESSURE

0.2 Bar LP

## GUARANTEE

15 Year Guarantee

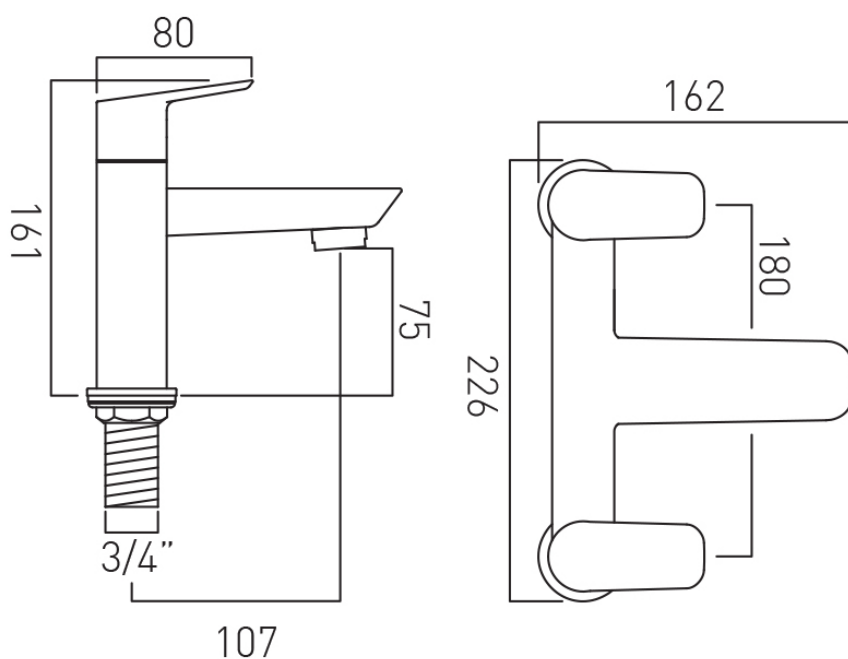
tel: 01934 744466  
email: [sales@vado.com](mailto:sales@vado.com)  
[www.vado.com](http://www.vado.com)

WHERE INSPIRATION FLOWS  
TAPS | SHOWERS | ACCESSORIES



# TECHNICAL DRAWING

COLLECTION: PHOTON  
PRODUCT CODE: PHO-137-C/P



tel: 01934 744466  
email: sales@vado.com  
www.vado.com

WHERE INSPIRATION FLOWS  
TAPS | SHOWERS | ACCESSORIES

