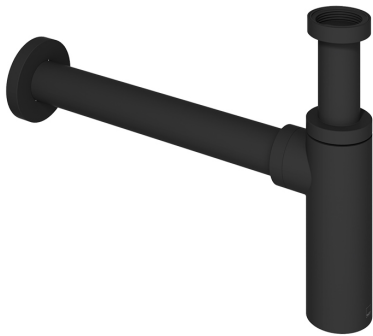


# SPECIFICATION SHEET

COLLECTION: CAMEO  
PRODUCT CODE: WG-461/RO-MB



## TAP TYPE

Wastes and Fittings

## COLLECTION NAME

Cameo

## FINISH

Matt Black

## GUARANTEE

10 Year Guarantee

## PLUMBING SYSTEM SUITABILITY

Pressurised System

## STYLE

Round

## CONNECTIONS / FITTINGS

35mm x 300mm pipe connections

## INSTALLATION TOLERANCES

min-max vertical adjustment 40-150mm to outlet centre

tel: 01934 744466  
email: [sales@vado.com](mailto:sales@vado.com)  
[www.vado.com](http://www.vado.com)

WHERE INSPIRATION FLOWS  
TAPS | SHOWERS | ACCESSORIES



# SPECIFICATION SHEET

COLLECTION: CAMEO

PRODUCT CODE: WG-461/RO-MB

tel: 01934 744466  
email: [sales@vado.com](mailto:sales@vado.com)  
[www.vado.com](http://www.vado.com)

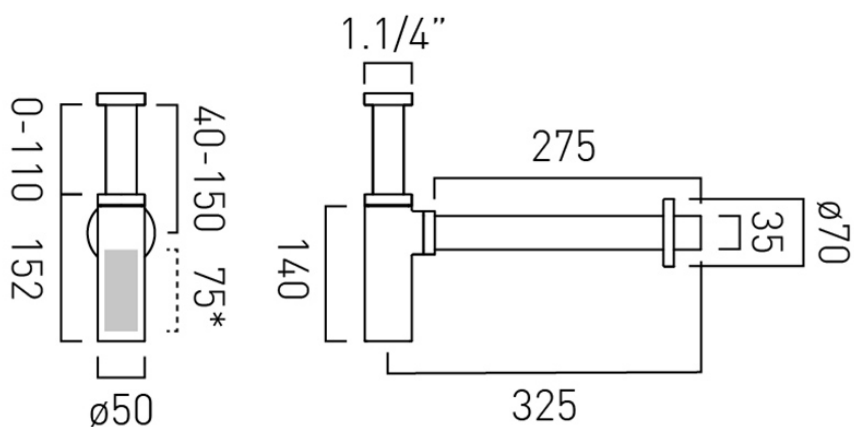
WHERE INSPIRATION FLOWS  
TAPS | SHOWERS | ACCESSORIES



# TECHNICAL DRAWING

COLLECTION: CAMEO

PRODUCT CODE: WG-461/RO-MB



\*75mm water trap seal