

SPECIFICATION SHEET

COLLECTION: CAMEO

PRODUCT CODE: WG-461/RO-MW



FINISH

Matt White

COLLECTION NAME

Cameo

GUARANTEE

10 Year Guarantee

TAP TYPE

Wastes and Fittings

PLUMBING SYSTEM SUITABILITY

Pressurised System

CONNECTIONS / FITTINGS

35mm x 300mm pipe connections

INSTALLATION TOLERANCES

min-max vertical adjustment 40-150mm to outlet centre

STYLE

Round

tel: 01934 744466
email: sales@vado.com
www.vado.com

WHERE INSPIRATION FLOWS
TAPS | SHOWERS | FURNITURE



SPECIFICATION SHEET

COLLECTION: CAMEO

PRODUCT CODE: WG-461/RO-MW

tel: 01934 744466
email: sales@vado.com
www.vado.com

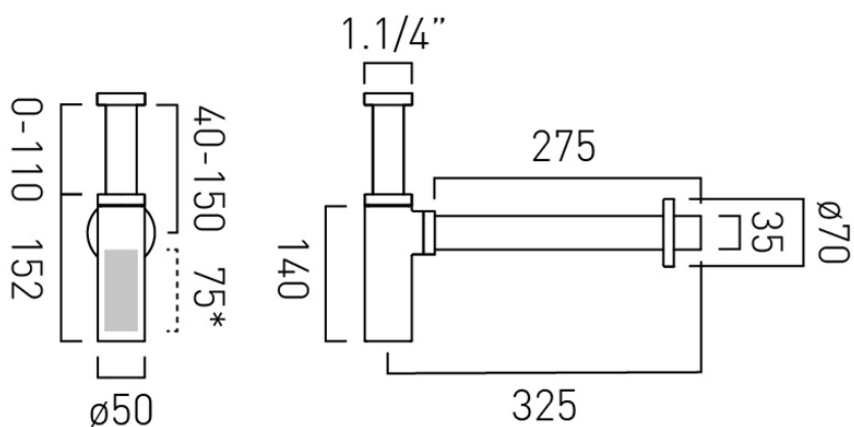
WHERE INSPIRATION FLOWS
TAPS | SHOWERS | FURNITURE



TECHNICAL DRAWING

COLLECTION: CAMEO

PRODUCT CODE: WG-461/RO-MW



*75mm water trap seal