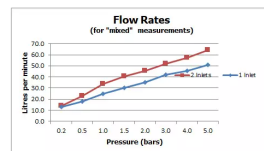


# SPECIFICATION SHEET

COLLECTION: CAMEO  
PRODUCT CODE: WG-81389-MW



The flow rate displayed is calculated using ideal system conditions. This result should only be taken as an indication as the flow rate may vary depending on the specific in-situ configuration.

## TAP TYPE

Basin Mixer

## WITH INTEGRATED WASTE

Clic-clac

## MIN-MAX BATH THICKNESS

1mm-18mm

## WITH WATER FLOW STRAIGHTENER

No

## CONNECTIONS / FITTINGS

2 x 1/2" inlets (one is blanked off), 1.1/2" x 10mm threaded outlet connection

## STYLE

Round

## PLUMBING SYSTEM SUITABILITY

Combination Boiler

## COLLECTION NAME

Cameo

## FINISH

Matt White

tel: 01934 744466  
email: sales@vado.com  
www.vado.com

WHERE INSPIRATION FLOWS  
TAPS | SHOWERS | ACCESSORIES



# SPECIFICATION SHEET

COLLECTION: CAMEO  
PRODUCT CODE: WG-81389-MW

MAXIMUM OPERATING PRESSURE

5.0 Bar HP

MINIMUM OPERATING PRESSURE

1.0 Bar MP

GUARANTEE

10 Year Guarantee

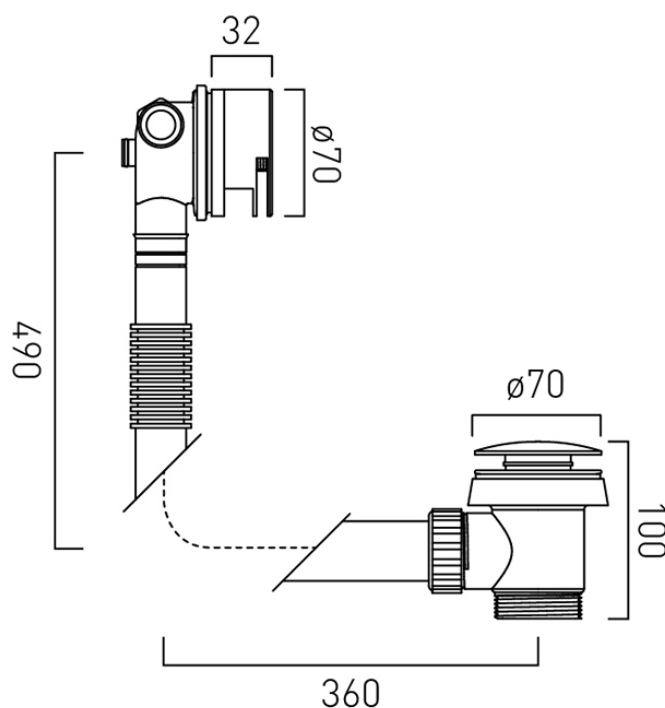
tel: 01934 744466  
email: [sales@vado.com](mailto:sales@vado.com)  
[www.vado.com](http://www.vado.com)

WHERE INSPIRATION FLOWS  
TAPS | SHOWERS | ACCESSORIES



# TECHNICAL DRAWING

COLLECTION: CAMEO  
PRODUCT CODE: WG-81389-MW



tel: 01934 744466  
email: sales@vado.com  
www.vado.com

WHERE INSPIRATION FLOWS  
TAPS | SHOWERS | ACCESSORIES

