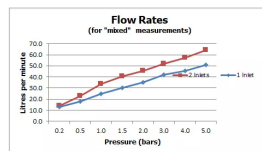


# SPECIFICATION SHEET

COLLECTION: CAMEO  
PRODUCT CODE: WG-81389-SBR



The flow rate displayed is calculated using ideal system conditions. This result should only be taken as an indication as the flow rate may vary depending on the specific in-situ configuration.

## TAP TYPE

Basin Mixer

## WITH INTEGRATED WASTE

Clic-clac

## MIN-MAX BATH THICKNESS

1mm-18mm

## WITH WATER FLOW STRAIGHTENER

No

## CONNECTIONS / FITTINGS

2 x 1/2" inlets (one is blanked off), 1.1/2" x 10mm threaded outlet connection

## STYLE

Round

## PLUMBING SYSTEM SUITABILITY

Combination Boiler

## COLLECTION NAME

Cameo

## FINISH

Satin Brass

tel: 01934 744466  
email: [sales@vado.com](mailto:sales@vado.com)  
[www.vado.com](http://www.vado.com)

WHERE INSPIRATION FLOWS  
TAPS | SHOWERS | ACCESSORIES



# SPECIFICATION SHEET

COLLECTION: CAMEO  
PRODUCT CODE: WG-81389-SBR

MAXIMUM OPERATING PRESSURE

5.0 Bar HP

MINIMUM OPERATING PRESSURE

1.0 Bar MP

GUARANTEE

10 Year Guarantee

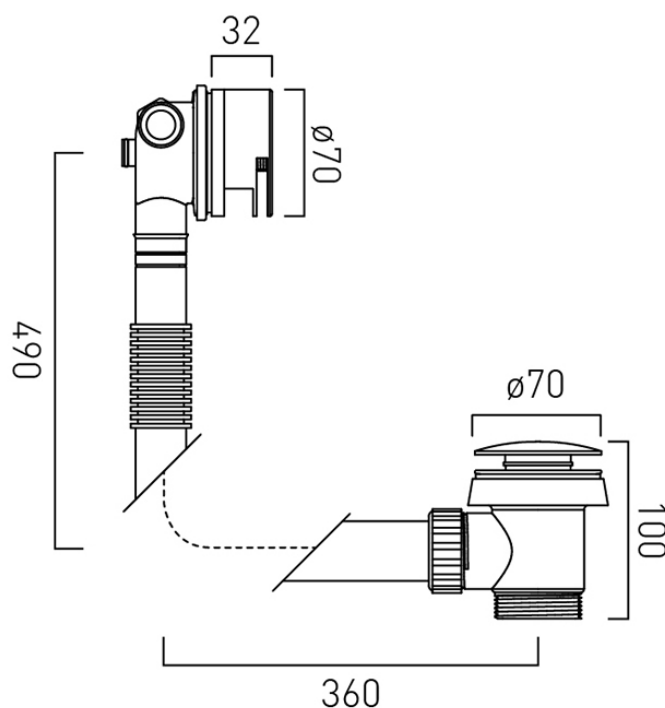
tel: 01934 744466  
email: [sales@vado.com](mailto:sales@vado.com)  
[www.vado.com](http://www.vado.com)

WHERE INSPIRATION FLOWS  
TAPS | SHOWERS | ACCESSORIES



# TECHNICAL DRAWING

COLLECTION: CAMEO  
PRODUCT CODE: WG-81389-SBR



tel: 01934 744466  
email: sales@vado.com  
www.vado.com

WHERE INSPIRATION FLOWS  
TAPS | SHOWERS | ACCESSORIES

