

# SPECIFICATION SHEET

COLLECTION: SENSE

PRODUCT CODE: SEN-100EF/SB-C/P



## TAP TYPE

Basin Mixer

## COLLECTION NAME

Sense

## FINISH

Chrome

## RECOMMENDED FLOW REGULATOR

5 l/m flow regulator fitted as standard

## MINIMUM OPERATING PRESSURE

0.2 Bar LP

## MAXIMUM OPERATING PRESSURE

5.0 Bar HP

## GUARANTEE

15 Year Guarantee

## HANDLES

Single Lever

## WITH ECOTURN COLD START TECHNOLOGY

No

tel: 01934 744466  
email: sales@vado.com  
www.vado.com

WHERE INSPIRATION FLOWS  
TAPS | SHOWERS | ACCESSORIES



# SPECIFICATION SHEET

COLLECTION: SENSE

PRODUCT CODE: SEN-100EF/SB-C/P

WITH WATER FLOW STRAIGHTENER

No

WITH WATER FLOW AERATOR

Yes

CONNECTIONS / FITTINGS

2 x 1/2" 550mm flexipipe connections

SPARE PARTS

ceramic cartridge CAR-K40A

DECK HOLE DRILL DIAMETER

35mm

MOUNTING

Deck Mounted

PLUMBING SYSTEM SUITABILITY

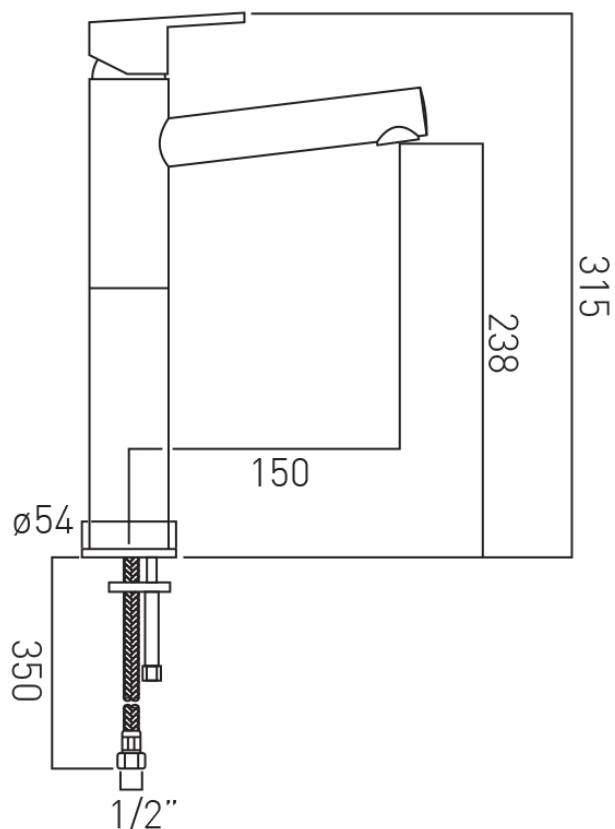
Gravity System, Pumped System, Combination Boiler, Pressurised System



# TECHNICAL DRAWING

COLLECTION: SENSE

PRODUCT CODE: SEN-100EF/SB-C/P



tel: 01934 744466  
email: sales@vado.com  
www.vado.com

WHERE INSPIRATION FLOWS  
TAPS | SHOWERS | ACCESSORIES

