

SPECIFICATION SHEET

COLLECTION: SENSE
PRODUCT CODE: SEN-137-C/P



TAP TYPE

Bath Filler

WITH WATER FLOW STRAIGHTENER

Yes

CONNECTIONS / FITTINGS

2 x 3/4" 50mm male threaded connections

SPARE PARTS

cold ceramic cartridge C-302-RTC hot ceramic cartridge C-302-LTC

DECK HOLE DRILL DIAMETER

2 x 28mm

HOLES

2 Hole

MOUNTING

Deck Mounted

PLUMBING SYSTEM SUITABILITY

Gravity System, Pumped System, Combination Boiler, Pressurised System

COLLECTION NAME

Sense

tel: 01934 744466
email: sales@vado.com
www.vado.com

WHERE INSPIRATION FLOWS
TAPS | SHOWERS | ACCESSORIES



SPECIFICATION SHEET

COLLECTION: SENSE
PRODUCT CODE: SEN-137-C/P

FINISH

Chrome

MAXIMUM OPERATING PRESSURE

5.0 Bar HP

MINIMUM OPERATING PRESSURE

0.2 Bar LP

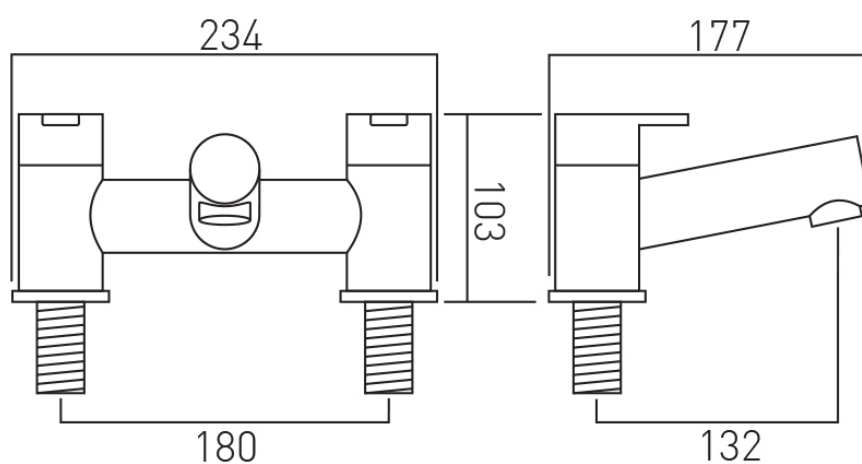
GUARANTEE

15 Year Guarantee



TECHNICAL DRAWING

COLLECTION: SENSE
PRODUCT CODE: SEN-137-C/P



tel: 01934 744466
email: sales@vado.com
www.vado.com

WHERE INSPIRATION FLOWS
TAPS | SHOWERS | ACCESSORIES

