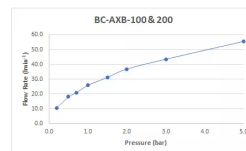


SPECIFICATION SHEET

COLLECTION: AXBRIDGE

PRODUCT CODE: BC-AXB-100/SB-BN



The flow rate displayed is calculated using ideal system conditions. This result should only be taken as an indication as the flow rate may vary depending on the specific in-situ configuration.

TAP TYPE

Basin Mixer

FINISH

Bright Nickel

COLLECTION NAME

Axbridge

GUARANTEE

15 Year Guarantee

PLUMBING SYSTEM SUITABILITY

Gravity System

MINIMUM OPERATING PRESSURE

0.2 Bar LP

HANDLES

2 Handle

HOLES

1 Hole

MOUNTING

Deck Mounted

tel: 01934 744466
email: sales@vado.com
www.vado.com

WHERE INSPIRATION FLOWS
TAPS | SHOWERS | FURNITURE



SPECIFICATION SHEET

COLLECTION: AXBRIDGE

PRODUCT CODE: BC-AXB-100/SB-BN

WASTE

None (Smooth Bodied)

WITH ECOTURN COLD START TECHNOLOGY

No

WITH WATER FLOW STRAIGHTENER

Yes

WITH SWIVEL SPOUT

1

WITH WATER FLOW AERATOR

No

CONNECTIONS / FITTINGS

2 x 1/2" x 400mm flexipipe connections

DECK HOLE DRILL DIAMETER

35mm

SPARE PARTS

cold ceramic cartridge FL-501-RTC, hot ceramic cartridge FL-501-LTC

STYLE

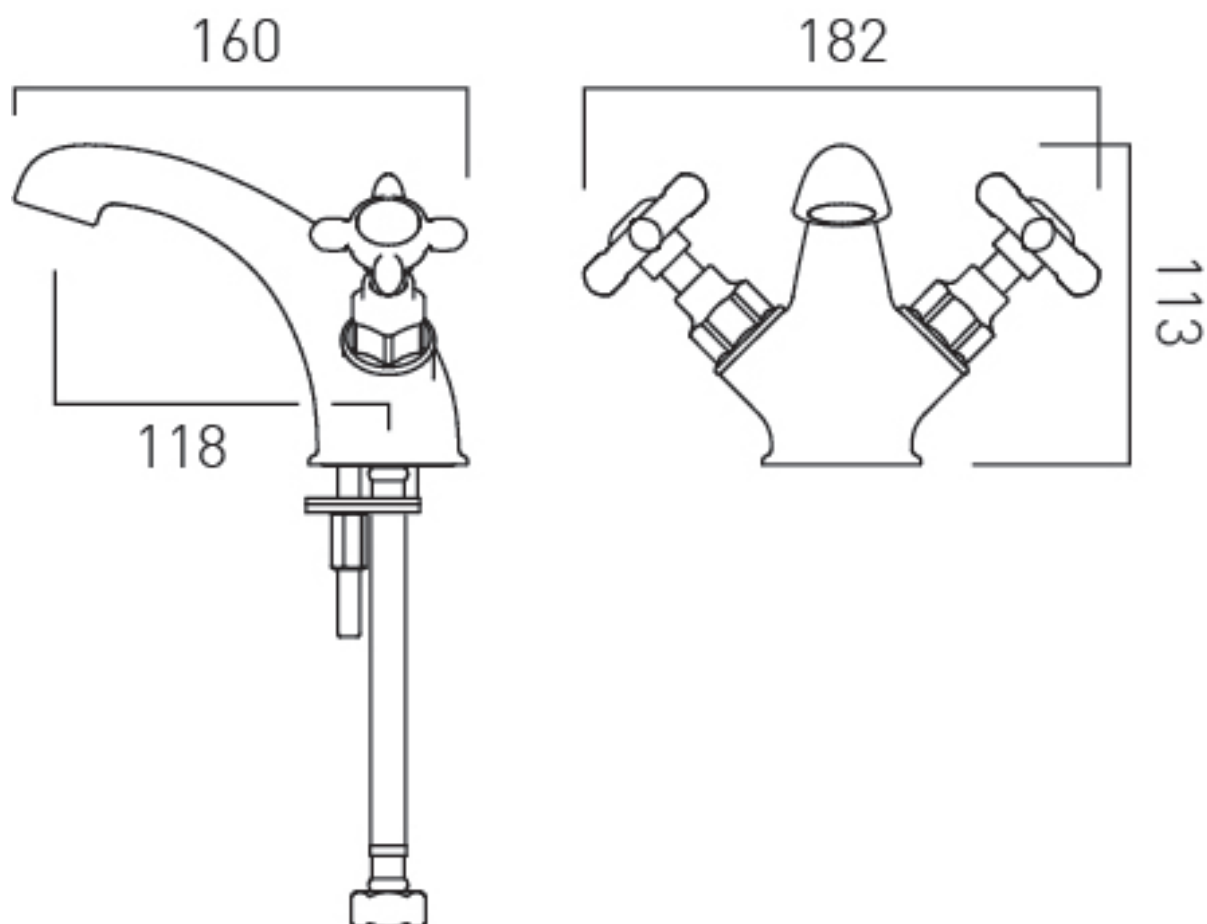
Traditional



TECHNICAL DRAWING

COLLECTION: AXBRIDGE

PRODUCT CODE: BC-AXB-100/SB-BN



tel: 01934 744466
email: sales@vado.com
www.vado.com

WHERE INSPIRATION FLOWS
TAPS | SHOWERS | FURNITURE

