

# SPECIFICATION SHEET

COLLECTION: AXBRIDGE  
PRODUCT CODE: BC-AXB-461-BN



## TAP TYPE

Wastes and Fittings

## COLLECTION NAME

Axbridge

## FINISH

Bright Nickel

## GUARANTEE

15 Year Guarantee

## PLUMBING SYSTEM SUITABILITY

Pressurised System

## STYLE

Traditional

## CONNECTIONS / FITTINGS

35mm x 300mm pipe connections

## INSTALLATION TOLERANCES

min-max vertical adjustment 45-150mm 0-105 to outlet centre

tel: 01934 744466  
email: sales@vado.com  
www.vado.com

WHERE INSPIRATION FLOWS  
TAPS | SHOWERS | ACCESSORIES



# SPECIFICATION SHEET

COLLECTION: AXBRIDGE  
PRODUCT CODE: BC-AXB-461-BN

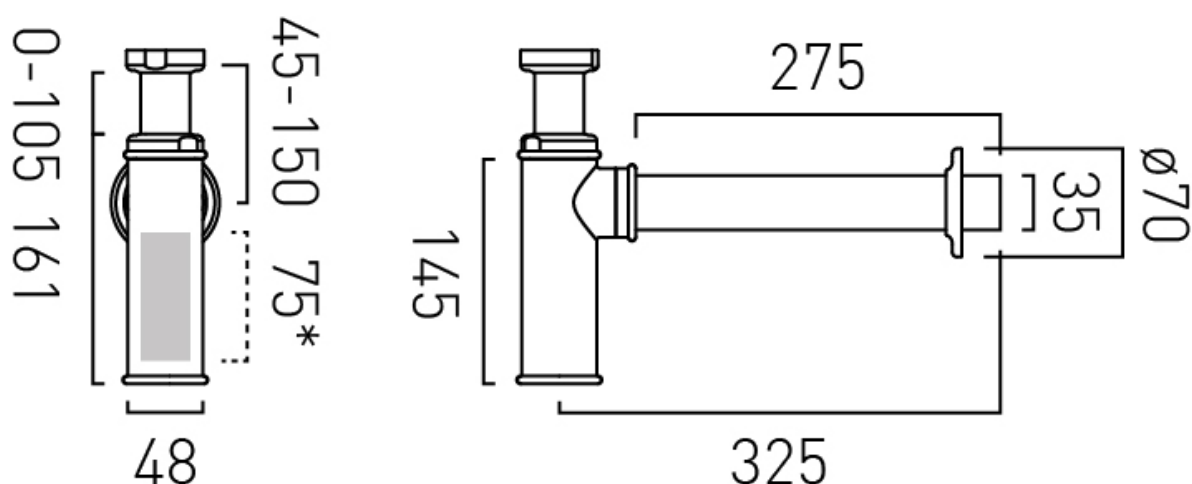
tel: 01934 744466  
email: [sales@vado.com](mailto:sales@vado.com)  
[www.vado.com](http://www.vado.com)

WHERE INSPIRATION FLOWS  
TAPS | SHOWERS | ACCESSORIES



# TECHNICAL DRAWING

COLLECTION: AXBRIDGE  
PRODUCT CODE: BC-AXB-461-BN



\*75mm water trap seal