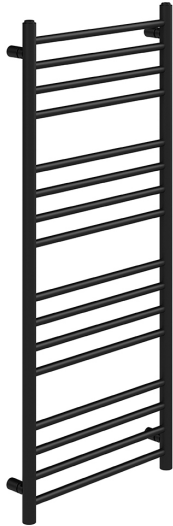


# SPECIFICATION SHEET

COLLECTION: MUSE

PRODUCT CODE: MUS-HTR-R01200-MB



## ACCESSORY TYPE

Towel Rail

## COLLECTION NAME

Muse

## FINISH

Matt Black

## GUARANTEE

6 Year Guarantee

## RADIATOR SIZE

1200 x 500

## STYLE

Round

## RAILS

16 horizontal rails

## RADIATOR VALVES

Not included

## MOUNTING

Wall Mounted

tel: 01934 744466  
email: [sales@vado.com](mailto:sales@vado.com)  
[www.vado.com](http://www.vado.com)

WHERE INSPIRATION FLOWS  
TAPS | SHOWERS | ACCESSORIES



# SPECIFICATION SHEET

COLLECTION: MUSE

PRODUCT CODE: MUS-HTR-R01200-MB

WATTS

339

BTU MEASUREMENT

1156

MAXIMUM OPERATING PRESSURE

6.0 Bar HP

MAX OPERATING TEMPERATURE

70 degrees

tel: 01934 744466  
email: [sales@vado.com](mailto:sales@vado.com)  
[www.vado.com](http://www.vado.com)

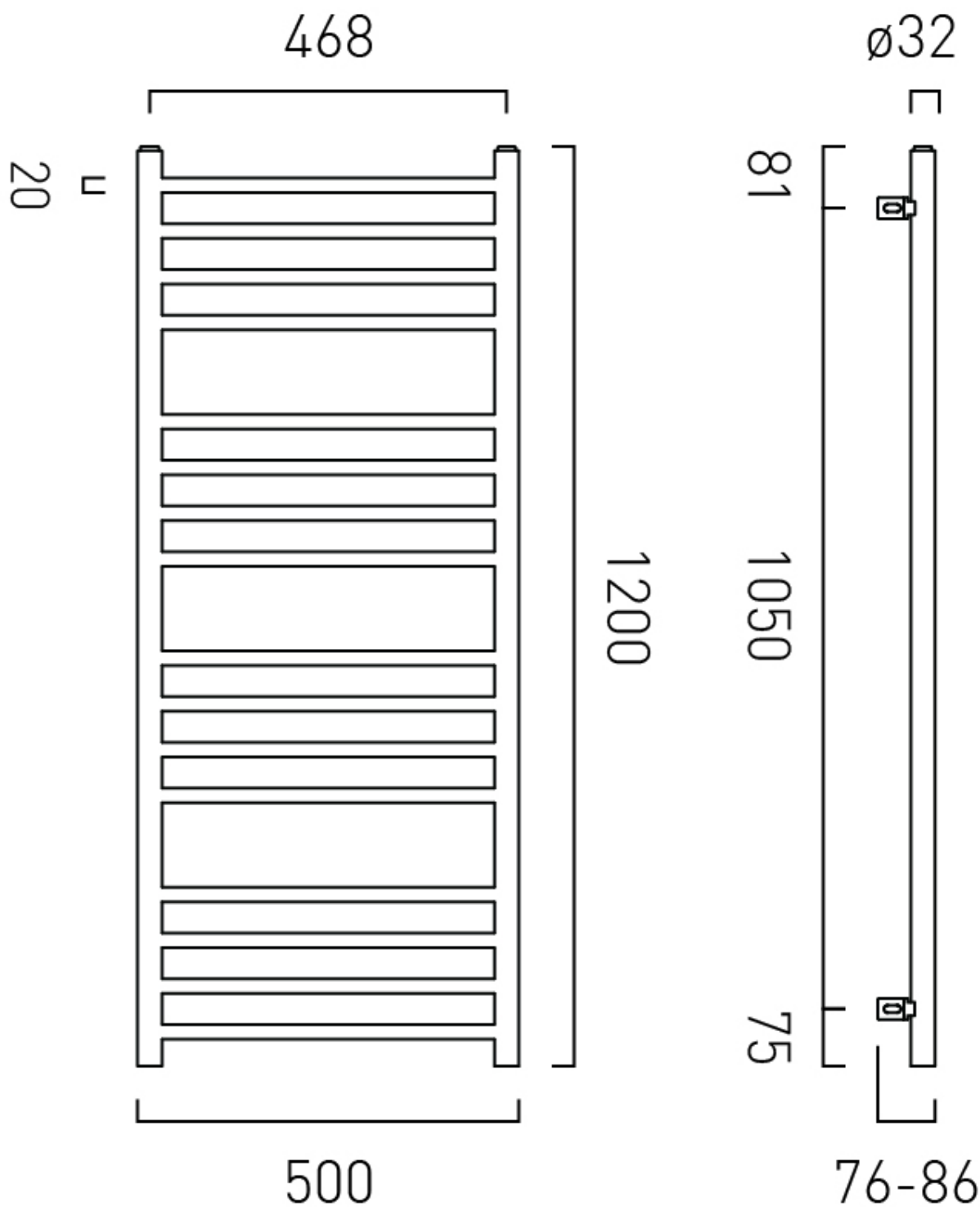
WHERE INSPIRATION FLOWS  
TAPS | SHOWERS | ACCESSORIES



# TECHNICAL DRAWING

COLLECTION: MUSE

PRODUCT CODE: MUS-HTR-R01200-MB



tel: 01934 744466  
email: sales@vado.com  
www.vado.com

WHERE INSPIRATION FLOWS  
TAPS | SHOWERS | ACCESSORIES

