

SPECIFICATION SHEET

COLLECTION: MUSE

PRODUCT CODE: MUS-HTR-R01200-MW



ACCESSORY TYPE

Towel Rail

COLLECTION NAME

Muse

FINISH

Matt White

GUARANTEE

6 Year Guarantee

RADIATOR SIZE

1200 x 500

STYLE

Round

RAILS

16 horizontal rails

RADIATOR VALVES

Not included

MOUNTING

Wall Mounted

tel: 01934 744466
email: sales@vado.com
www.vado.com

WHERE INSPIRATION FLOWS
TAPS | SHOWERS | ACCESSORIES



SPECIFICATION SHEET

COLLECTION: MUSE

PRODUCT CODE: MUS-HTR-R01200-MW

WATTS

339

BTU MEASUREMENT

1156

MAXIMUM OPERATING PRESSURE

6.0 Bar HP

MAX OPERATING TEMPERATURE

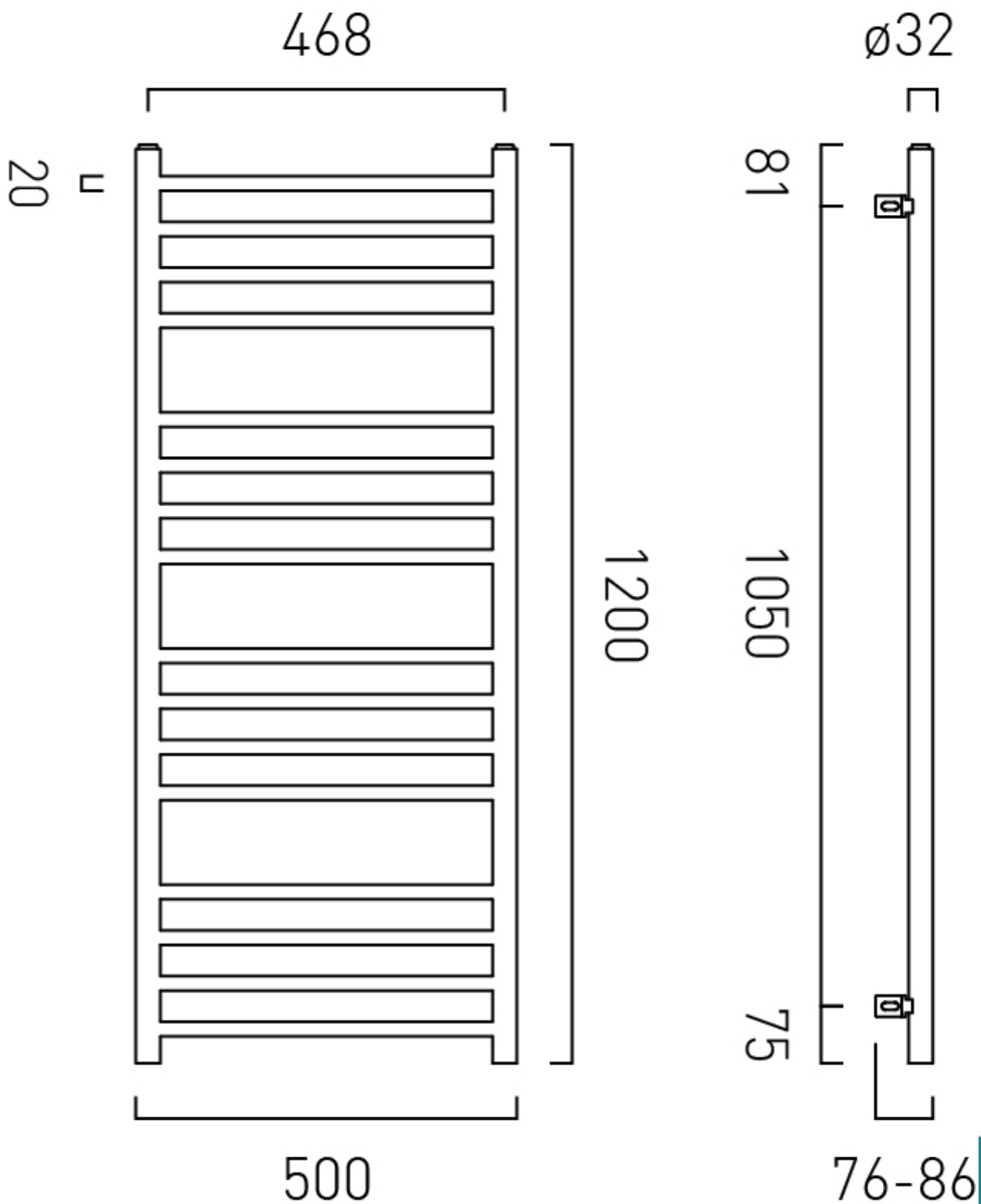
70 degrees



TECHNICAL DRAWING

COLLECTION: MUSE

PRODUCT CODE: MUS-HTR-R01200-MW



tel: 01934 744466
email: sales@vado.com
www.vado.com

WHERE INSPIRATION FLOWS
TAPS | SHOWERS | ACCESSORIES

