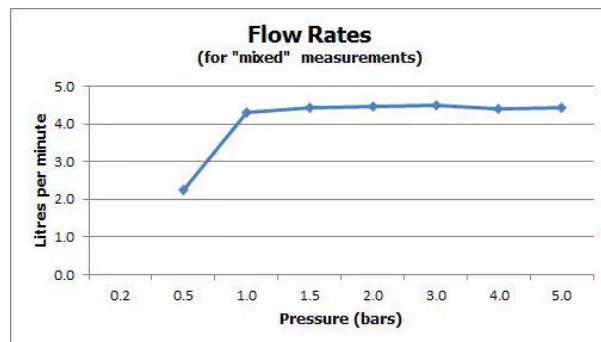


# SPECIFICATION SHEET

COLLECTION: I-TECH  
PRODUCT CODE: IR-WSPOUT-C/P



The flow rate displayed is calculated using ideal system conditions. This result should only be taken as an indication as the flow rate may vary depending on the specific in-situ configuration.

## TAP TYPE

Infra-red

## PLUMBING SYSTEM SUITABILITY

Pumped System, Combination Boiler, Pressurised System

## MOUNTING

Wall Mounted

## WITH WATER FLOW AERATOR

No

## NOTES

Mains or battery operated  
Takes standard AA batteries  
Pair with the PRO-5001 for temperature control

## COLLECTION NAME

I-Tech

## FINISH

Chrome

## RECOMMENDED FLOW REGULATOR

4 l/m flow regulator fitted as standard

## MINIMUM OPERATING PRESSURE

1.0 Bar MP

tel: 01934 744466  
email: sales@vado.com  
www.vado.com

WHERE INSPIRATION FLOWS  
TAPS | SHOWERS | ACCESSORIES



# SPECIFICATION SHEET

COLLECTION: I-TECH  
PRODUCT CODE: IR-WSPOUT-C/P

MAXIMUM OPERATING PRESSURE

5.0 Bar HP

GUARANTEE

5 Year Guarantee

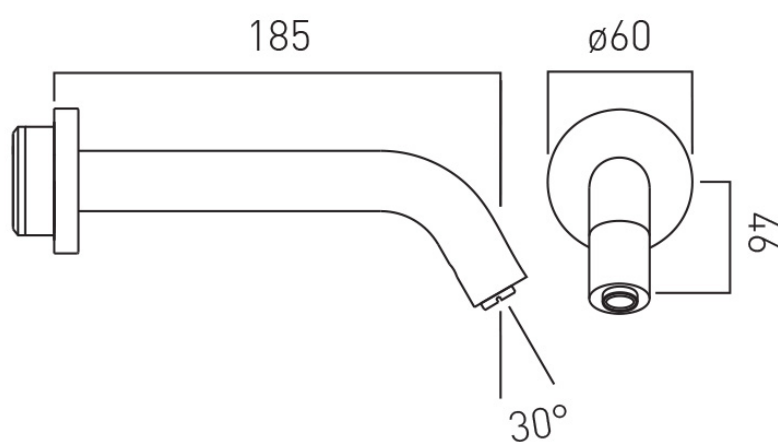
tel: 01934 744466  
email: [sales@vado.com](mailto:sales@vado.com)  
[www.vado.com](http://www.vado.com)

WHERE INSPIRATION FLOWS  
TAPS | SHOWERS | ACCESSORIES



# TECHNICAL DRAWING

COLLECTION: I-TECH  
PRODUCT CODE: IR-WSPOUT-C/P



tel: 01934 744466  
email: sales@vado.com  
www.vado.com

WHERE INSPIRATION FLOWS  
TAPS | SHOWERS | ACCESSORIES

