

SPECIFICATION SHEET

COLLECTION: WASTES & FITTINGS
PRODUCT CODE: IND-1389-RO-BLK



FINISH

Brushed Black

COLLECTION NAME

Wastes & Fittings

GUARANTEE

15 Year Guarantee

TAP TYPE

Wastes and Fittings

PLUMBING SYSTEM SUITABILITY

Pressurised System

CONNECTIONS / FITTINGS

1.1/2" x 16mm threaded outlet connection

INSTALLATION TOLERANCES

Min-max overflow bath thickness 1mm-14mm

STYLE

Round

tel: 01934 744466
email: sales@vado.com
www.vado.com

WHERE INSPIRATION FLOWS
TAPS | SHOWERS | FURNITURE



SPECIFICATION SHEET

COLLECTION: WASTES & FITTINGS
PRODUCT CODE: IND-1389-RO-BLK

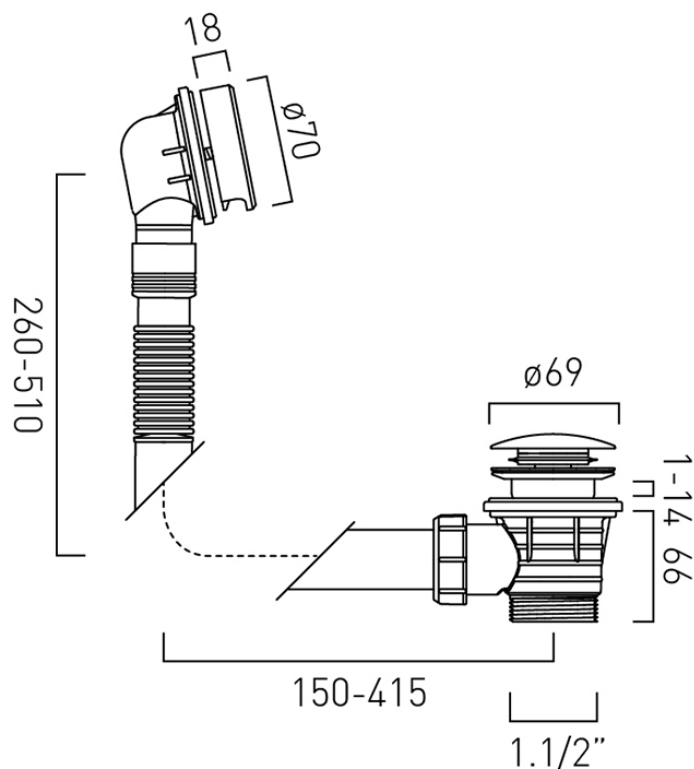
tel: 01934 744466
email: sales@vado.com
www.vado.com

WHERE INSPIRATION FLOWS
TAPS | SHOWERS | FURNITURE



TECHNICAL DRAWING

COLLECTION: WASTES & FITTINGS
PRODUCT CODE: IND-1389-RO-BLK



tel: 01934 744466
email: sales@vado.com
www.vado.com

WHERE INSPIRATION FLOWS
TAPS | SHOWERS | FURNITURE

