

SPECIFICATION SHEET

COLLECTION: WASTES & FITTINGS
PRODUCT CODE: WG-2389-RO-SBR



TAP TYPE

Wastes and Fittings

COLLECTION NAME

Wastes & Fittings

FINISH

Satin Brass

GUARANTEE

10 Year Guarantee

PLUMBING SYSTEM SUITABILITY

Pressurised System

STYLE

Round

CONNECTIONS / FITTINGS

2 x 1/2" inlets (one is blanked off) 1.1/2" x 16mm threaded outlet connection

INSTALLATION TOLERANCES

Min-max overflow bath thickness 1mm-14mm, minimum operating pressure 1.0 bar MP

tel: 01934 744466
email: sales@vado.com
www.vado.com

WHERE INSPIRATION FLOWS
TAPS | SHOWERS | FURNITURE



SPECIFICATION SHEET

COLLECTION: WASTES & FITTINGS
PRODUCT CODE: WG-2389-RO-SBR

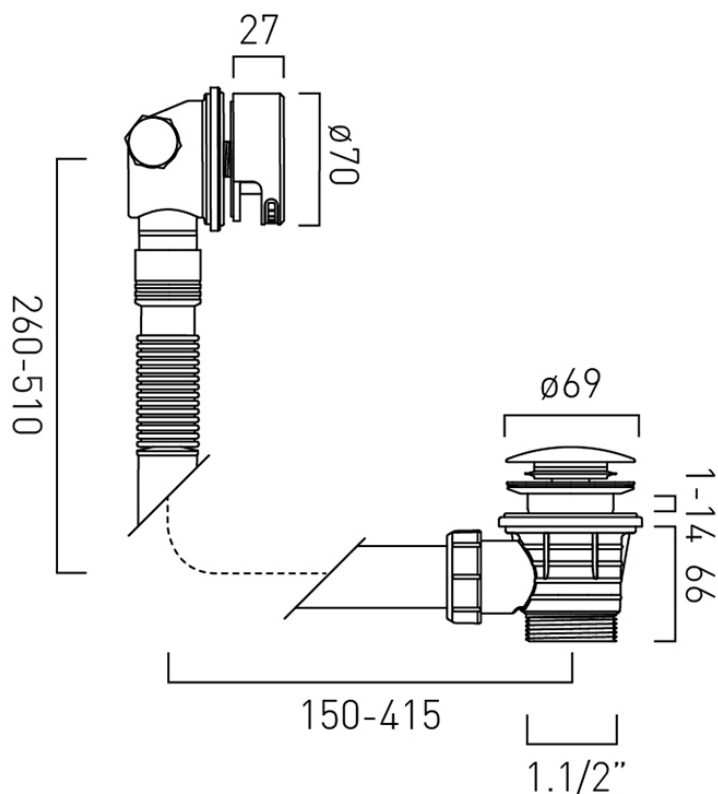
tel: 01934 744466
email: sales@vado.com
www.vado.com

WHERE INSPIRATION FLOWS
TAPS | SHOWERS | FURNITURE



TECHNICAL DRAWING

COLLECTION: WASTES & FITTINGS
PRODUCT CODE: WG-2389-RO-SBR



tel: 01934 744466
email: sales@vado.com
www.vado.com

WHERE INSPIRATION FLOWS
TAPS | SHOWERS | FURNITURE

