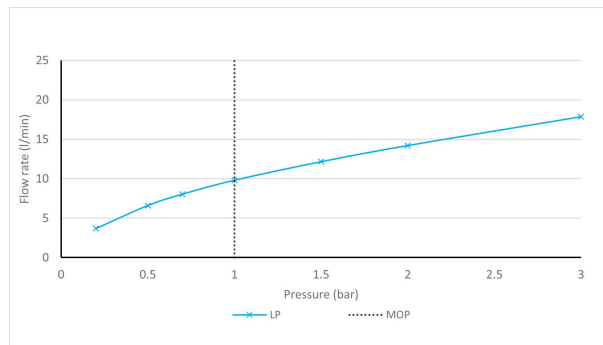
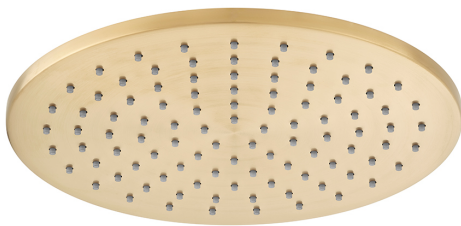


SPECIFICATION SHEET

COLLECTION: NEBULA
PRODUCT CODE: IND-R0/25-BRG



The flow rate displayed is calculated using ideal system conditions. This result should only be taken as an indication as the flow rate may vary depending on the specific in-situ configuration.

SHOWER TYPE

Shower Head

PLUMBING SYSTEM SUITABILITY

Pumped System

MOUNTING

Wall Mounted

STYLE

Round

CONNECTIONS / FITTINGS

1/2" female inlet

WITH AIR-INJECTION TECHNOLOGY

No

FUNCTIONS

Single Function

RUB-CLEAN NOZZLES

Yes

SELF-CLEANING

No

tel: 01934 744466
email: sales@vado.com
www.vado.com

WHERE INSPIRATION FLOWS
TAPS | SHOWERS | FURNITURE



SPECIFICATION SHEET

COLLECTION: NEBULA
PRODUCT CODE: IND-RO/25-BRG

WITH SHOWER ARM

None

SHOWER HEAD SIZE

250mm (10") diameter

MATERIAL

Brass

COLLECTION NAME

Nebula

FINISH

Brushed Gold

MINIMUM OPERATING PRESSURE

1.0 Bar MP

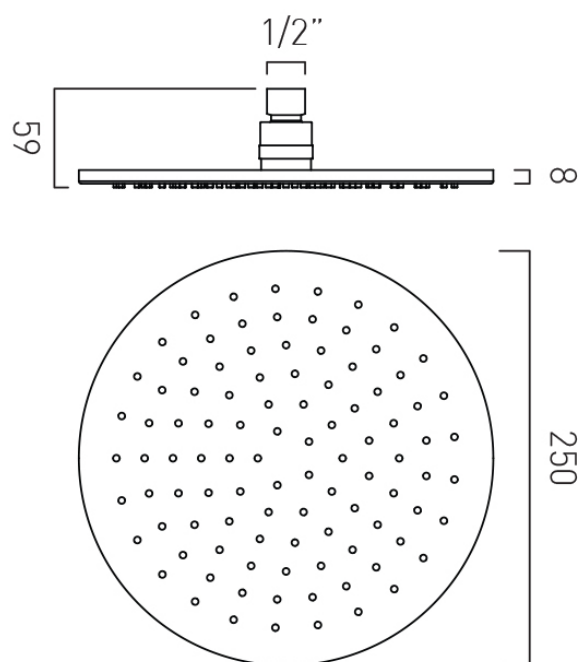
GUARANTEE

15 Year Guarantee



TECHNICAL DRAWING

COLLECTION: NEBULA
PRODUCT CODE: IND-R0/25-BRG



tel: 01934 744466
email: sales@vado.com
www.vado.com

WHERE INSPIRATION FLOWS
TAPS | SHOWERS | FURNITURE

