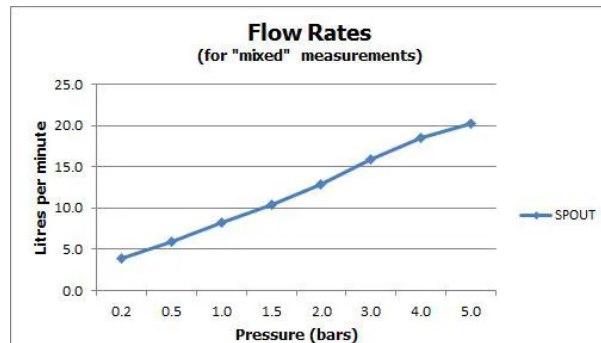


# SPECIFICATION SHEET

COLLECTION: LIFE  
PRODUCT CODE: LIF-150S-C/P



The flow rate displayed is calculated using ideal system conditions. This result should only be taken as an indication as the flow rate may vary depending on the specific in-situ configuration.

## TAP TYPE

Kitchen Tap

## PLUMBING SYSTEM SUITABILITY

Gravity System, Pumped System, Combination Boiler, Pressurised System

## COLLECTION NAME

Life

## DECK HOLE DRILL DIAMETER

35mm

## SPARE PARTS

ceramic cartridge CAR-K35A

## HANDLES

Single Lever

## WITH WATER FLOW AERATOR

No

## WITH SWIVEL SPOUT

1

## WITH WATER FLOW STRAIGHTENER

No

tel: 01934 744466  
email: sales@vado.com  
www.vado.com

WHERE INSPIRATION FLOWS  
TAPS | SHOWERS | ACCESSORIES



# SPECIFICATION SHEET

COLLECTION: LIFE  
PRODUCT CODE: LIF-150S-C/P

## MOUNTING

Deck Mounted

## MINIMUM OPERATING PRESSURE

0.2 Bar LP

## MAXIMUM OPERATING PRESSURE

5.0 Bar HP

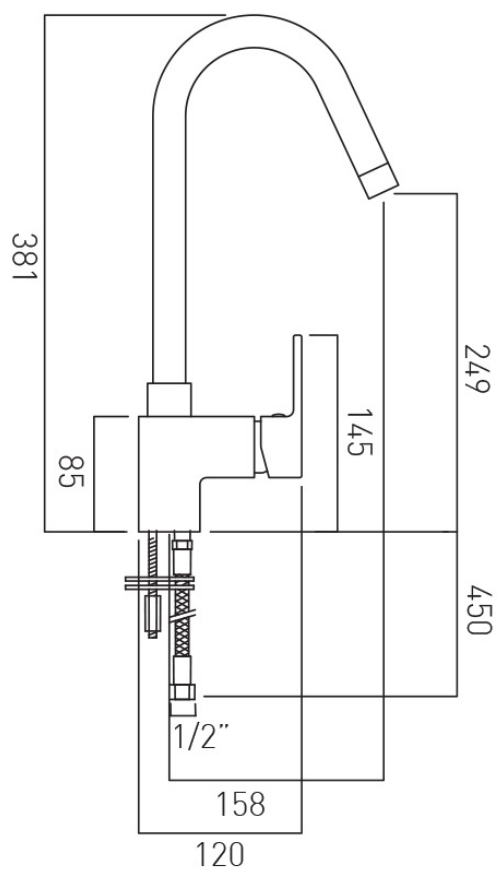
tel: 01934 744466  
email: [sales@vado.com](mailto:sales@vado.com)  
[www.vado.com](http://www.vado.com)

WHERE INSPIRATION FLOWS  
TAPS | SHOWERS | ACCESSORIES



# TECHNICAL DRAWING

COLLECTION: LIFE  
PRODUCT CODE: LIF-150S-C/P



tel: 01934 744466  
email: sales@vado.com  
www.vado.com

WHERE INSPIRATION FLOWS  
TAPS | SHOWERS | ACCESSORIES

