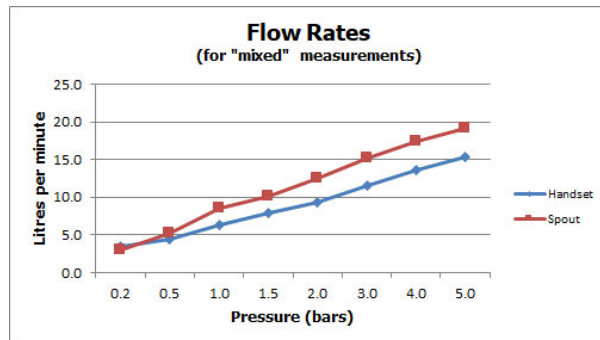


# SPECIFICATION SHEET

COLLECTION: ZOO

PRODUCT CODE: ZOO-232NS-CP



The flow rate displayed is calculated using ideal system conditions. This result should only be taken as an indication as the flow rate may vary depending on the specific in-situ configuration.

## TAP TYPE

Bath Shower Mixer

## WITH SHOWER KIT

Yes

## WITH EASY-FIT BRACKETS

No

## WITH INTEGRATED DIVERTER

No

## WITH THERMOSTATIC TECHNOLOGY

No

## FOR USE WITH BATH FILLER WASTE AND OVERFLOW

Yes

## WITH BATH SPOUT

No

## WITH AIR-INJECTION TECHNOLOGY

No

## WITH WATER FLOW STRAIGHTENER

No

tel: 01934 744466  
email: [sales@vado.com](mailto:sales@vado.com)  
[www.vado.com](http://www.vado.com)

WHERE INSPIRATION FLOWS  
TAPS | SHOWERS | ACCESSORIES



# SPECIFICATION SHEET

COLLECTION: ZOO  
PRODUCT CODE: ZOO-232NS-CP

## WITH WATER FLOW AERATOR

No

## CONNECTIONS / FITTINGS

2 x 3/4" x 3/4" 600mm flexipipe connectors 1 x 2m shower hose 2 x 400 1/2" female flexipipe connectors to valve

## SPARE PARTS

diverter cartridge F-803-33/2X ceramic cartridge CAR-KN40

## DECK HOLE DRILL DIAMETER

Valve: 46mm Spout: 28mm Diverter: 44mm Handset: 32mm

## STYLE

Round

## HOLES

3 Hole

## MOUNTING

Deck Mounted

## PLUMBING SYSTEM SUITABILITY

Pumped System, Pressurised System

## COLLECTION NAME

Zoo

## FINISH

Chrome

## RECOMMENDED FLOW REGULATOR

FR-FLEXI/8-PLA

## MINIMUM OPERATING PRESSURE

3.0 Bar HP

# SPECIFICATION SHEET

COLLECTION: Z00  
PRODUCT CODE: Z00-232NS-CP

## MAXIMUM OPERATING PRESSURE

5.0 Bar HP

## FLOW RATE AT 3.0 BAR FLOW PRESSURE

Spout: 15.2 l/min, Diverter: 11.6 l/min

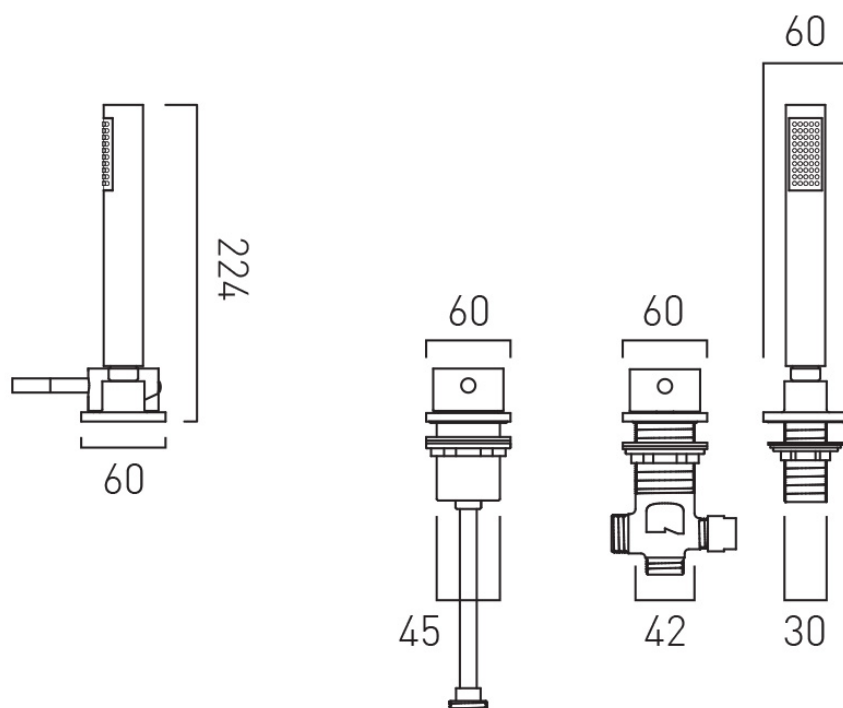
## GUARANTEE

15 Year Guarantee



# TECHNICAL DRAWING

COLLECTION: ZOO  
PRODUCT CODE: ZOO-232NS-CP



tel: 01934 744466  
email: sales@vado.com  
www.vado.com

WHERE INSPIRATION FLOWS  
TAPS | SHOWERS | ACCESSORIES

