

SPECIFICATION SHEET

COLLECTION:
PRODUCT CODE: WG-81552A-CP



TAP TYPE

Bath Filler

PLUMBING SYSTEM SUITABILITY

Pumped System, Combination Boiler, Pressurised System

WITH WATER FLOW STRAIGHTENER

No

MINIMUM OPERATING PRESSURE

1.0 Bar MP

MAXIMUM OPERATING PRESSURE

5.0 Bar HP

STYLE

Round

NOTES

maximum length 700mm with standard cable extension kit sold separately to achieve 850mm WG-7/8-CABLEEXT

FINISH

Chrome

GUARANTEE

15 Year Guarantee

tel: 01934 744466
email: sales@vado.com
www.vado.com

WHERE INSPIRATION FLOWS
TAPS | SHOWERS | FURNITURE



SPECIFICATION SHEET

COLLECTION:

PRODUCT CODE: WG-81552A-CP

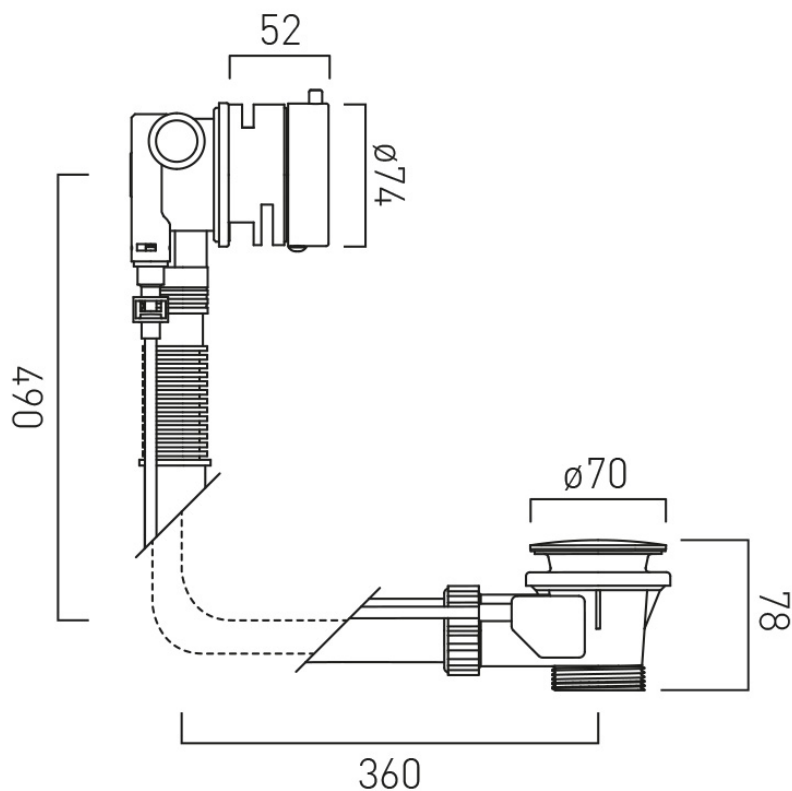
tel: 01934 744466
email: sales@vado.com
www.vado.com

WHERE INSPIRATION FLOWS
TAPS | SHOWERS | FURNITURE



TECHNICAL DRAWING

COLLECTION:
PRODUCT CODE: WG-81552A-CP



tel: 01934 744466
email: sales@vado.com
www.vado.com

WHERE INSPIRATION FLOWS
TAPS | SHOWERS | FURNITURE

