

SPECIFICATION SHEET

COLLECTION: DX CELSIUS

PRODUCT CODE: DX-172251-CELSQ-CP



SHOWER TYPE

Shower Packages

COLLECTION NAME

DX Celsius

FINISH

Chrome

MINIMUM OPERATING PRESSURE

0.2 Bar LP

MAXIMUM OPERATING PRESSURE

5.0 Bar HP

GUARANTEE

15 Year Guarantee

PLUMBING SYSTEM SUITABILITY

Gravity System, Pumped System, Combination Boiler, Pressurised System

SPARE PARTS

thermostatic cartridge V-704-34S
diverter cartridge C-803-33X/3X

CONNECTIONS / FITTINGS

2 x 3/4" female inlets 2 x 3/4" female outlets

tel: 01934 744466
email: sales@vado.com
www.vado.com

WHERE INSPIRATION FLOWS
TAPS | SHOWERS | FURNITURE



SPECIFICATION SHEET

COLLECTION: DX CELSIUS

PRODUCT CODE: DX-172251-CELSQ-CP

INSTALLATION TOLERANCES

min-max wall mount 70-95mm optimum installation depth 82mm

WITH AIR-INJECTION TECHNOLOGY

No

SHOWER PACKAGE DESCRIPTION

- 2 outlet thermostatic shower valve
- Saturn 254mm head with shower arm
- Zoo single function shower kit with integrated outlet and bracket

KIT COMPRISES

CEL-148D/2/SQ-C/P WG-SATURN2/SA-C/P ZOO-SFMKW0-C/P

WITH THERMOSTATIC TECHNOLOGY

Yes

NUMBER OF OUTLETS

1 Outlet

VALVE TYPE

Concealed

INCLUDES MORTAR / TILE GUARD

No

WITH BLEED VALVE FOR SYSTEM FLUSH ON INSTALLATION

Yes

COMPATIBLE WITH STUFAST

Yes

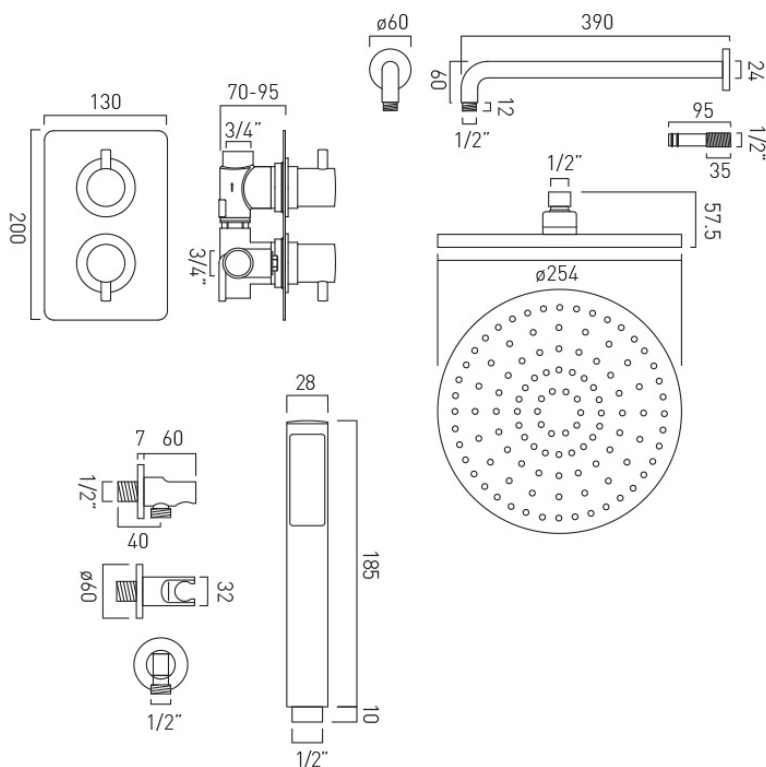
ADJUSTABLE FIXING FOR EASY RETRO FIT

No

TECHNICAL DRAWING

COLLECTION: DX CELSIUS

PRODUCT CODE: DX-172251-CELSQ-CP



tel: 01934 744466
email: sales@vado.com
www.vado.com

WHERE INSPIRATION FLOWS
TAPS | SHOWERS | FURNITURE

