

SPECIFICATION SHEET

COLLECTION: PHASE
PRODUCT CODE: PHA-149RRK-CP



SHOWER TYPE

Shower Column

VALVE TYPE

Exposed

WITH AIR-INJECTION TECHNOLOGY

No

WITH EASY-FIT BRACKETS

No

WITH CROSS-SPRAY TECHNOLOGY

No

WITH INTEGRATED DIVERTER

No

ADJUSTABLE FIXING FOR EASY RETRO FIT

No

WITH THERMOSTATIC TECHNOLOGY

No

WITH SHOWER KIT

No

tel: 01934 744466
email: sales@vado.com
www.vado.com

WHERE INSPIRATION FLOWS
TAPS | SHOWERS | FURNITURE



SPECIFICATION SHEET

COLLECTION: PHASE

PRODUCT CODE: PHA-149RRK-CP

SHOWER PACKAGE DESCRIPTION

- square thermostatic shower valve with integrated diverter and rigid riser
- Aquablade 300mm x 200mm rectangular shower head
- Nebula square 3 function shower handset
- 15mm depth adjustment tolerance:
min 65mm – max 80mm
- offset connectors and easy-fit bracket included

WITH WATER FLOW STRAIGHTENER

No

SPARE PARTS

thermostatic cartridge V-703-34S flow cartridge VEL-002A-C/P

PLUMBING SYSTEM SUITABILITY

Pumped System, Combination Boiler, Pressurised System

COLLECTION NAME

Phase

FINISH

Chrome

MINIMUM OPERATING PRESSURE

1.0 Bar MP

MAXIMUM OPERATING PRESSURE

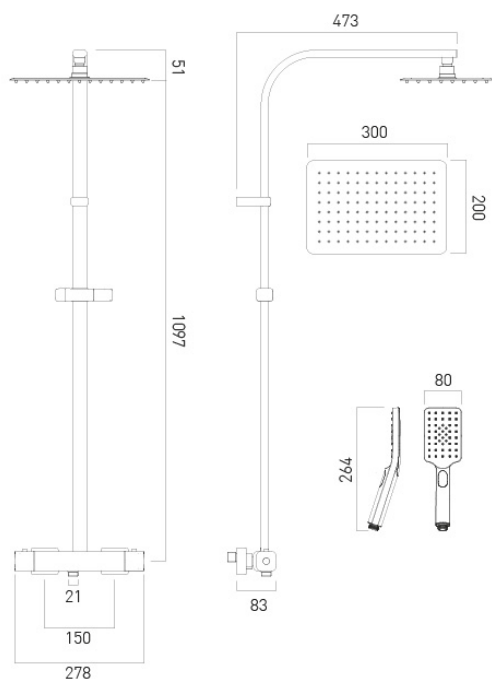
5.0 Bar HP

GUARANTEE

15 Year Guarantee

TECHNICAL DRAWING

COLLECTION: PHASE
PRODUCT CODE: PHA-149RRK-CP



tel: 01934 744466
email: sales@vado.com
www.vado.com

WHERE INSPIRATION FLOWS
TAPS | SHOWERS | FURNITURE

