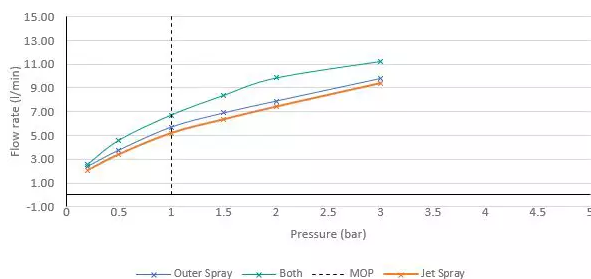


# SPECIFICATION SHEET

COLLECTION: ORA

PRODUCT CODE: ORA-MFSRKWO-RO-CP



The flow rate displayed is calculated using ideal system conditions. This result should only be taken as an indication as the flow rate may vary depending on the specific in-situ configuration.

## SHOWER TYPE

Slide Rail Shower Kit

## SELF-CLEANING

No

## SLIDE RAIL LENGTH

900mm slide rail

## WITH OUTLET / BRACKET

with Integrated Outlet

## WITH CROSS-SPRAY TECHNOLOGY

No

## ADJUSTABLE FIXING FOR EASY RETRO FIT

No

## WITH TWIST CONTROL

No

## WITH PUSH BUTTON CONTROL

Yes

## WITH HOSE RETAINER

Yes

tel: 01934 744466  
email: sales@vado.com  
www.vado.com

WHERE INSPIRATION FLOWS  
TAPS | SHOWERS | ACCESSORIES



# SPECIFICATION SHEET

COLLECTION: ORA

PRODUCT CODE: ORA-MFSRKWO-RO-CP

## RUB-CLEAN NOZZLES

Yes

## FUNCTIONS

3

## WITH AIR-INJECTION TECHNOLOGY

No

## HOSE

with 150cm hose

## MOUNTING

Wall Mounted

## PLUMBING SYSTEM SUITABILITY

Pumped System, Combination Boiler, Pressurised System

## COLLECTION NAME

Ora

## FINISH

Chrome

## MINIMUM OPERATING PRESSURE

1.0 Bar MP

## MAXIMUM OPERATING PRESSURE

5.0 Bar HP

## GUARANTEE

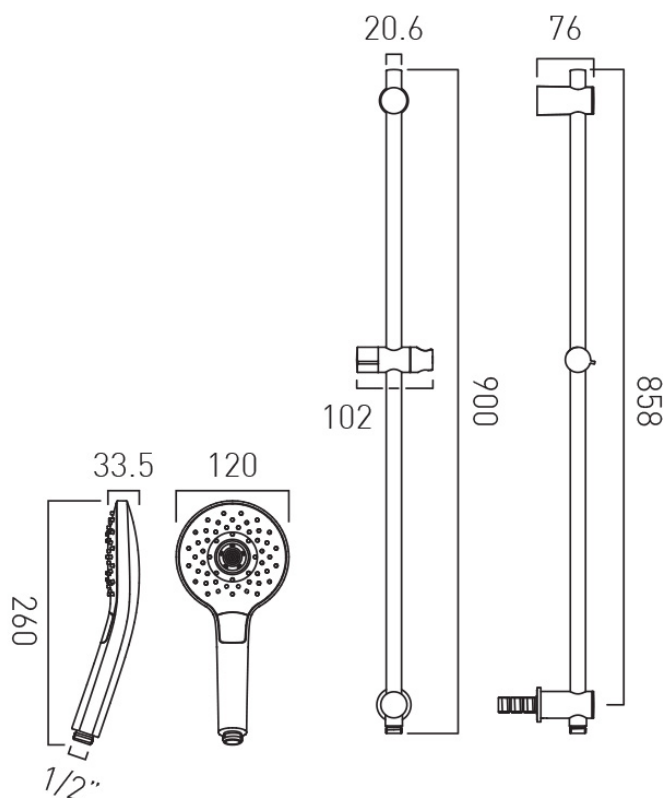
15 Year Guarantee



# TECHNICAL DRAWING

COLLECTION: ORA

PRODUCT CODE: ORA-MFSRKWO-RO-CP



tel: 01934 744466  
email: sales@vado.com  
www.vado.com

WHERE INSPIRATION FLOWS  
TAPS | SHOWERS | ACCESSORIES

