

# SPECIFICATION SHEET

COLLECTION: ORA

PRODUCT CODE: ORA-MFSRK/SQ-CP



## SHOWER TYPE

Slide Rail Shower Kit

## SELF-CLEANING

No

## SLIDE RAIL LENGTH

644mm slide rail 704mm overall rail length

## WITH CROSS-SPRAY TECHNOLOGY

No

## ADJUSTABLE FIXING FOR EASY RETRO FIT

No

## WITH TWIST CONTROL

Yes

## WITH PUSH BUTTON CONTROL

Yes

## WITH HOSE RETAINER

No

## RUB-CLEAN NOZZLES

Yes

tel: 01934 744466  
email: [sales@vado.com](mailto:sales@vado.com)  
[www.vado.com](http://www.vado.com)

WHERE INSPIRATION FLOWS  
TAPS | SHOWERS | FURNITURE



# SPECIFICATION SHEET

COLLECTION: ORA

PRODUCT CODE: ORA-MFSRK/SQ-CP

## FUNCTIONS

3

## WITH AIR-INJECTION TECHNOLOGY

No

## HOSE

with 150cm hose

## MOUNTING

Wall Mounted

## PLUMBING SYSTEM SUITABILITY

Pumped System, Combination Boiler, Pressurised System

## COLLECTION NAME

Ora

## FINISH

Chrome

## MINIMUM OPERATING PRESSURE

1.0 Bar MP

## MAXIMUM OPERATING PRESSURE

5.0 Bar HP

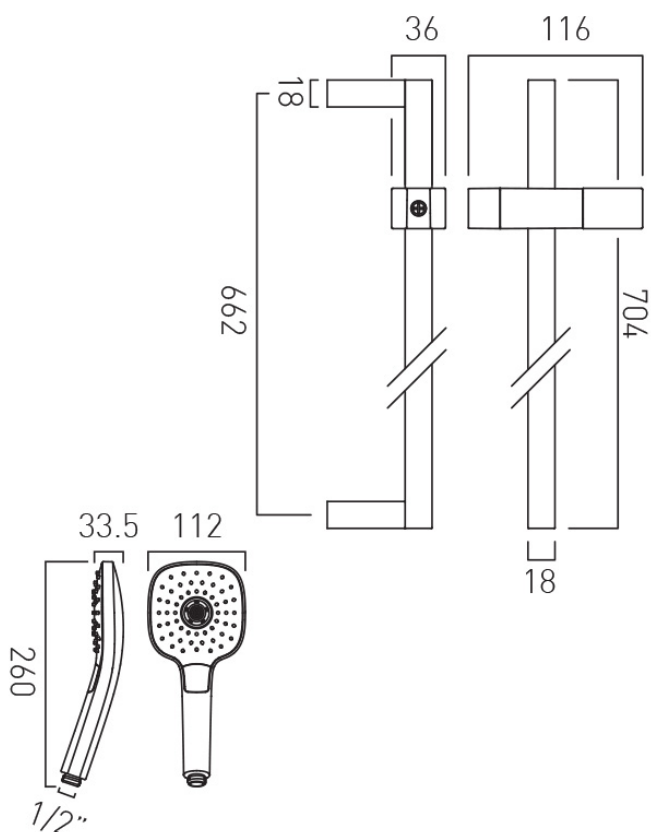
## GUARANTEE

15 Year Guarantee

# TECHNICAL DRAWING

COLLECTION: ORA

PRODUCT CODE: ORA-MFSRK/SQ-CP



tel: 01934 744466  
email: sales@vado.com  
www.vado.com

WHERE INSPIRATION FLOWS  
TAPS | SHOWERS | FURNITURE

