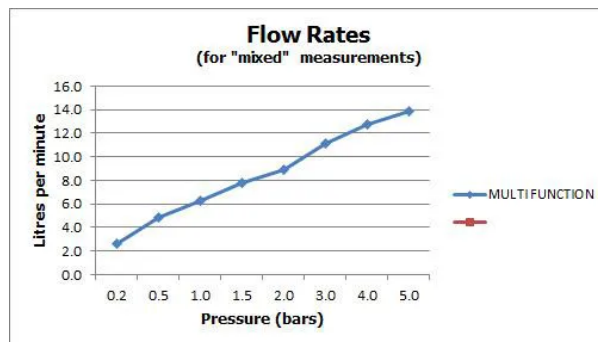


# SPECIFICATION SHEET

COLLECTION: ATMOSPHERE  
PRODUCT CODE: ATM-MFSRK-C/P



The flow rate displayed is calculated using ideal system conditions. This result should only be taken as an indication as the flow rate may vary depending on the specific in-situ configuration.

## SHOWER TYPE

Slide Rail Shower Kit

## WITH PUSH BUTTON CONTROL

No

## SELF-CLEANING

No

## WITH HOSE RETAINER

No

## WITH CROSS-SPRAY TECHNOLOGY

No

## RUB-CLEAN NOZZLES

No

## ADJUSTABLE FIXING FOR EASY RETRO FIT

No

## WITH AIR-INJECTION TECHNOLOGY

Yes

## WITH TWIST CONTROL

No

tel: 01934 744466  
email: sales@vado.com  
www.vado.com

WHERE INSPIRATION FLOWS  
TAPS | SHOWERS | ACCESSORIES



# SPECIFICATION SHEET

COLLECTION: ATMOSPHERE  
PRODUCT CODE: ATM-MFSRK-C/P

## MOUNTING

Wall Mounted

## PLUMBING SYSTEM SUITABILITY

Pumped System, Combination Boiler, Pressurised System

## COLLECTION NAME

Atmosphere

## FINISH

Chrome

## MINIMUM OPERATING PRESSURE

1.0 Bar MP

## MAXIMUM OPERATING PRESSURE

5.0 Bar HP

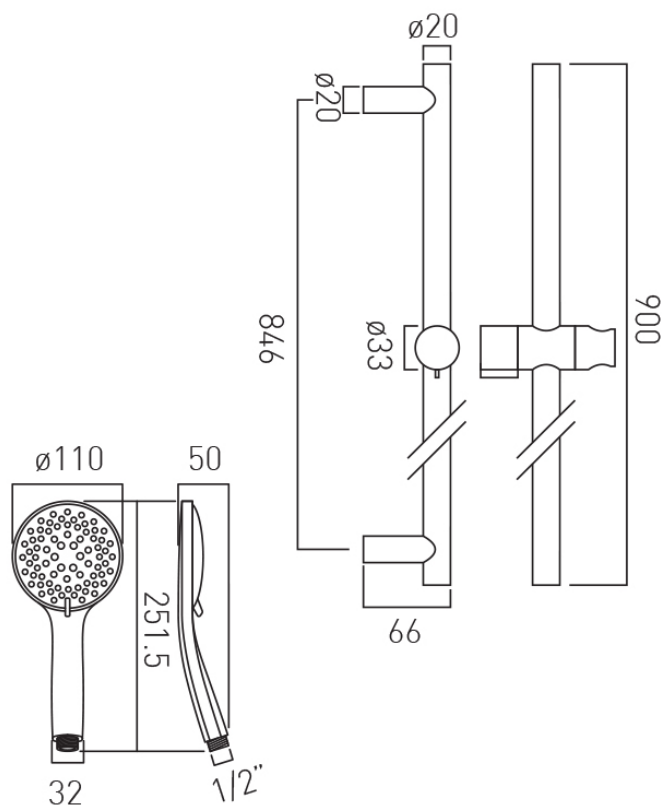
## GUARANTEE

15 Year Guarantee



# TECHNICAL DRAWING

COLLECTION: ATMOSPHERE  
PRODUCT CODE: ATM-MFSRK-C/P



tel: 01934 744466  
email: sales@vado.com  
www.vado.com

WHERE INSPIRATION FLOWS  
TAPS | SHOWERS | ACCESSORIES

