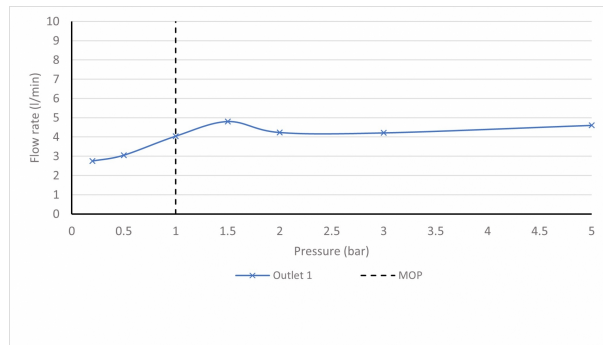


# SPECIFICATION SHEET

COLLECTION: ARRONDI  
PRODUCT CODE: ARR-100M/CC-CP



## TAP TYPE

Basin Mixer

## COLLECTION NAME

Arrondi

## FINISH

Chrome

## RECOMMENDED FLOW REGULATOR

5 l/min flow regulator fitted as standard

## MINIMUM OPERATING PRESSURE

1.0 Bar MP

## MAXIMUM OPERATING PRESSURE

5.0 Bar LP

## GUARANTEE

15 Year Guarantee

## HANDLES

Single Lever

## WITH ECOTURN COLD START TECHNOLOGY

No

tel: 01934 744466  
email: sales@vado.com  
www.vado.com

WHERE INSPIRATION FLOWS  
TAPS | SHOWERS | ACCESSORIES



# SPECIFICATION SHEET

COLLECTION: ARRONDI  
PRODUCT CODE: ARR-100M/CC-CP

## WITH WATER FLOW STRAIGHTENER

No

## WITH WATER FLOW AERATOR

Yes

## SPARE PARTS

ceramic cartridge K-001-J25

## DECK HOLE DRILL DIAMETER

35mm

## WASTE

with Universal Basin Waste

## STYLE

Round, Traditional, Contemporary

## MOUNTING

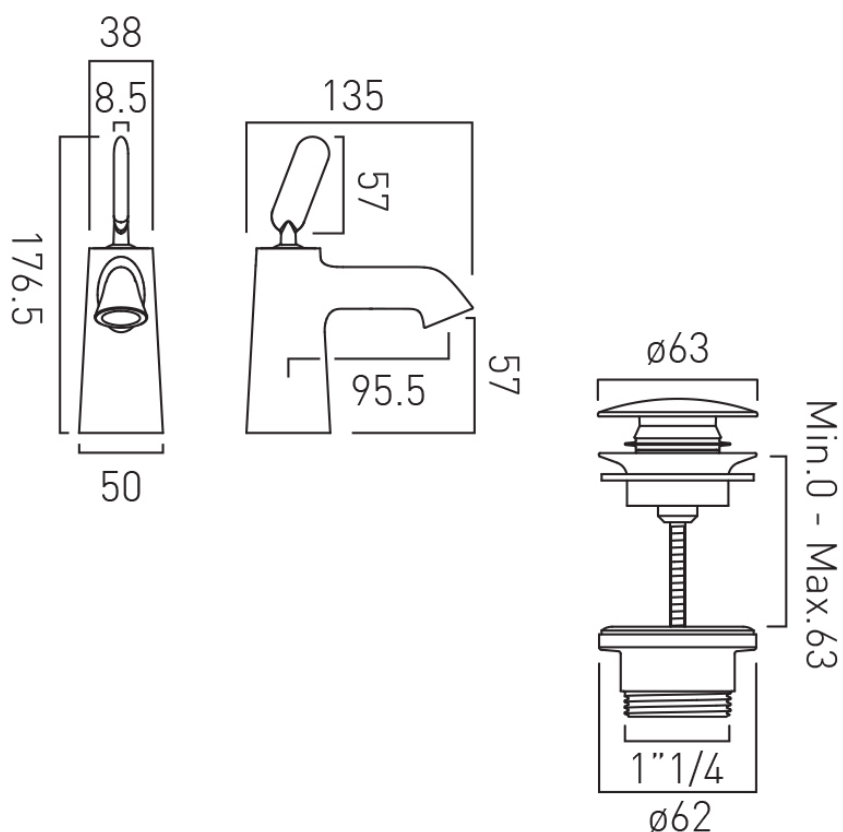
Deck Mounted

## PLUMBING SYSTEM SUITABILITY

Pumped System, Combination Boiler, Pressurised System

# TECHNICAL DRAWING

COLLECTION: ARRONDI  
PRODUCT CODE: ARR-100M/CC-CP



tel: 01934 744466  
email: sales@vado.com  
www.vado.com

WHERE INSPIRATION FLOWS  
TAPS | SHOWERS | ACCESSORIES

