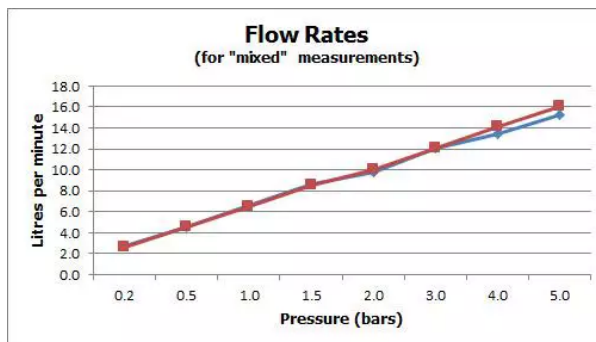


# SPECIFICATION SHEET

COLLECTION: INSTINCT  
PRODUCT CODE: INS-SFMKWO-C/P



The flow rate displayed is calculated using ideal system conditions. This result should only be taken as an indication as the flow rate may vary depending on the specific in-situ configuration.

## SHOWER TYPE

Mini Shower Kit

## PLUMBING SYSTEM SUITABILITY

Pumped System, Combination Boiler, Pressurised System

## MOUNTING

Wall Mounted

## CONNECTIONS / FITTINGS

1/2" inlet

## HOSE

with 150cm hose

## FUNCTIONS

1

## RUB-CLEAN NOZZLES

No

## WITH OUTLET / BRACKET

with Integrated Outlet and Bracket

## COLLECTION NAME

Instinct

tel: 01934 744466  
email: sales@vado.com  
www.vado.com

WHERE INSPIRATION FLOWS  
TAPS | SHOWERS | ACCESSORIES



# SPECIFICATION SHEET

COLLECTION: INSTINCT  
PRODUCT CODE: INS-SFMKWO-C/P

## FINISH

Chrome

## MINIMUM OPERATING PRESSURE

1.0 Bar MP

## MAXIMUM OPERATING PRESSURE

5.0 Bar HP

## GUARANTEE

15 Year Guarantee

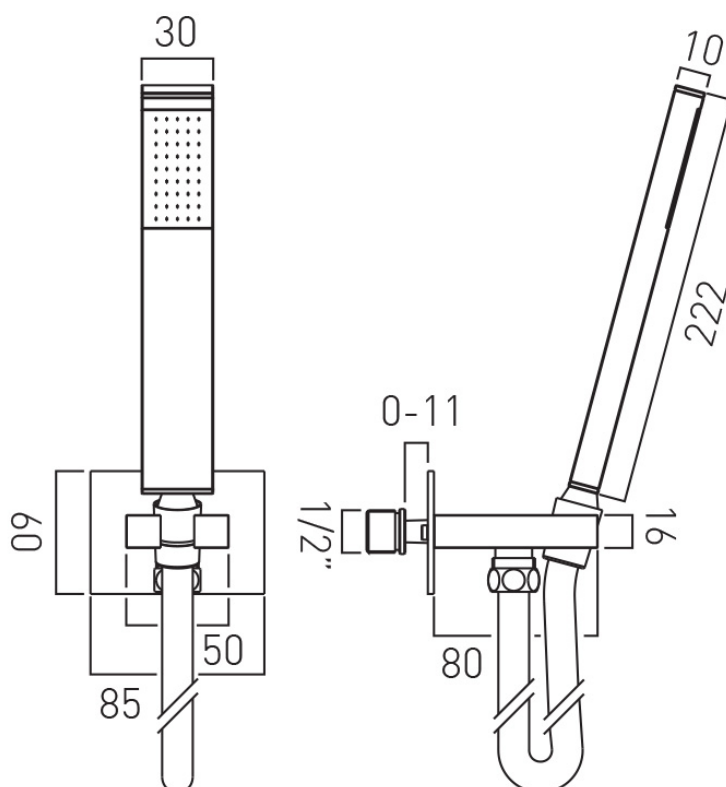
tel: 01934 744466  
email: [sales@vado.com](mailto:sales@vado.com)  
[www.vado.com](http://www.vado.com)

WHERE INSPIRATION FLOWS  
TAPS | SHOWERS | ACCESSORIES



# TECHNICAL DRAWING

COLLECTION: INSTINCT  
PRODUCT CODE: INS-SFMKWO-C/P



tel: 01934 744466  
email: sales@vado.com  
www.vado.com

WHERE INSPIRATION FLOWS  
TAPS | SHOWERS | ACCESSORIES

