

# SPECIFICATION SHEET

COLLECTION: NEBULA  
PRODUCT CODE: NEB-RO/30-SA-CP



## SHOWER TYPE

Shower Head

## PLUMBING SYSTEM SUITABILITY

Pumped System, Combination Boiler, Pressurised System

## MOUNTING

Wall Mounted

## WITH AIR-INJECTION TECHNOLOGY

No

## FUNCTIONS

1

## RUB-CLEAN NOZZLES

Yes

## SELF-CLEANING

No

## WITH SHOWER ARM

1

## SHOWER HEAD SIZE

300mm (12") diameter

# SPECIFICATION SHEET

COLLECTION: NEBULA  
PRODUCT CODE: NEB-RO/30-SA-CP

## COLLECTION NAME

Nebula

## FINISH

Chrome

## MINIMUM OPERATING PRESSURE

1.0 Bar MP

## MAXIMUM OPERATING PRESSURE

5.0 Bar HP

## GUARANTEE

15 Year Guarantee

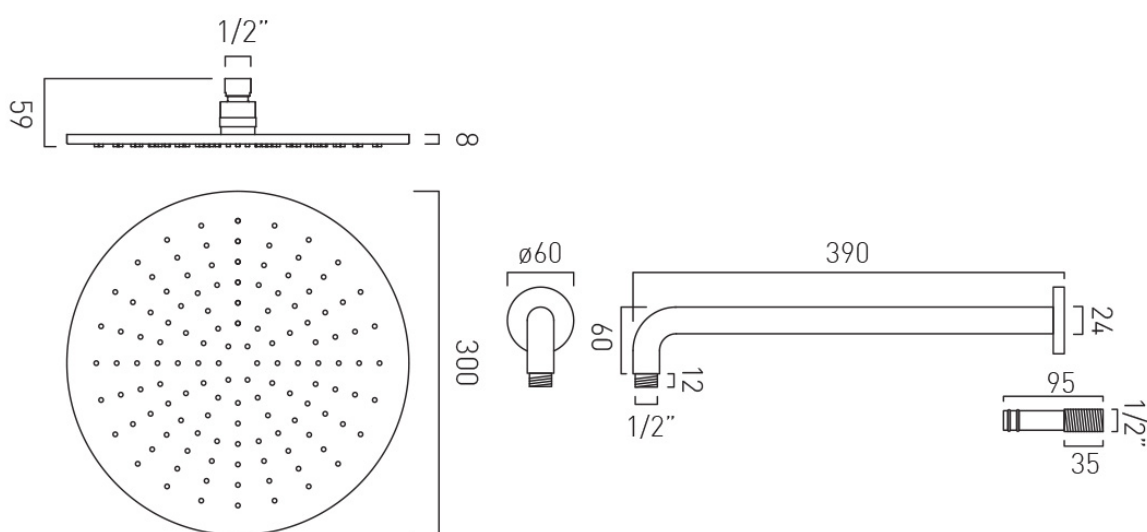
tel: 01934 744466  
email: [sales@vado.com](mailto:sales@vado.com)  
[www.vado.com](http://www.vado.com)

WHERE INSPIRATION FLOWS  
TAPS | SHOWERS | ACCESSORIES



# TECHNICAL DRAWING

COLLECTION: NEBULA  
PRODUCT CODE: NEB-RO/30-SA-CP



tel: 01934 744466  
email: sales@vado.com  
www.vado.com

WHERE INSPIRATION FLOWS  
TAPS | SHOWERS | ACCESSORIES

