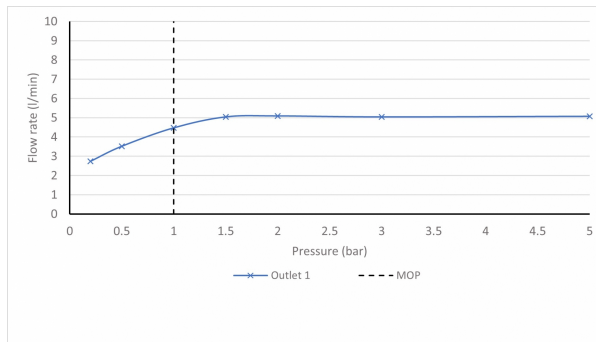


SPECIFICATION SHEET

COLLECTION: ARRONDI
PRODUCT CODE: ARR-101-CP



The flow rate displayed is calculated using ideal system conditions. This result should only be taken as an indication as the flow rate may vary depending on the specific in-situ configuration.

TAP TYPE

Basin Mixer

FINISH

Chrome

COLLECTION NAME

Arrondi

GUARANTEE

15 Year Guarantee

PLUMBING SYSTEM SUITABILITY

Pumped System, Combination Boiler, Pressurised System

MINIMUM OPERATING PRESSURE

1.0 Bar MP

MAXIMUM OPERATING PRESSURE

5.0 Bar HP

HOLES

3 Hole

MOUNTING

Deck Mounted

tel: 01934 744466
email: sales@vado.com
www.vado.com

WHERE INSPIRATION FLOWS
TAPS | SHOWERS | FURNITURE



SPECIFICATION SHEET

COLLECTION: ARRONDI
PRODUCT CODE: ARR-101-CP

RECOMMENDED FLOW REGULATOR

5 l/min flow regulator fitted as standard

WITH ECOTURN COLD START TECHNOLOGY

No

WITH WATER FLOW STRAIGHTENER

No

WITH SWIVEL SPOUT

with Fixed Spout

WITH WATER FLOW AERATOR

Yes

CONNECTIONS / FITTINGS

Bath Shower Mixer + Spout

DECK HOLE DRILL DIAMETER

30mm

SPARE PARTS

cold ceramic cartridge FL-202-LTC hot ceramic cartridge FL-202-RTC

STYLE

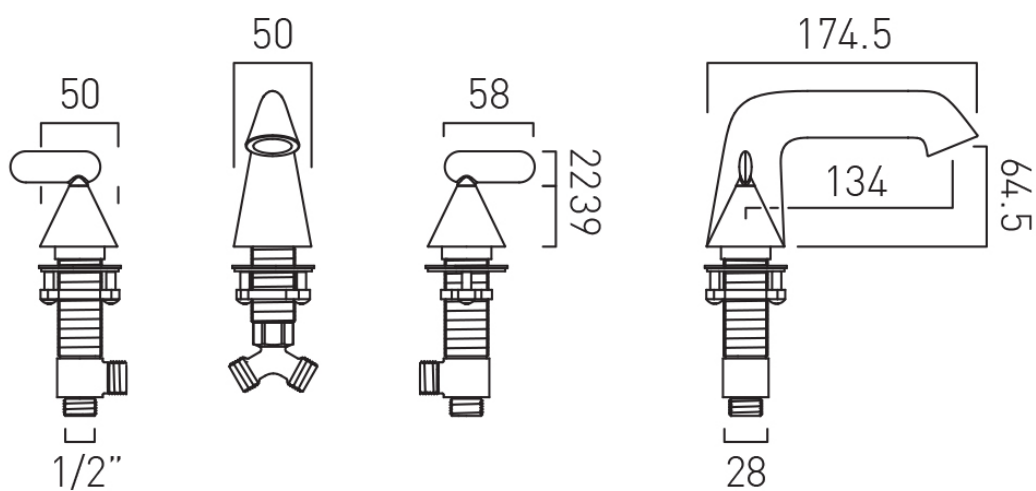
Round, Traditional, Contemporary, Lever Handles

NOTES

1/2" ceramic disc 1/4 turn valves

TECHNICAL DRAWING

COLLECTION: ARRONDI
PRODUCT CODE: ARR-101-CP



tel: 01934 744466
email: sales@vado.com
www.vado.com

WHERE INSPIRATION FLOWS
TAPS | SHOWERS | FURNITURE

