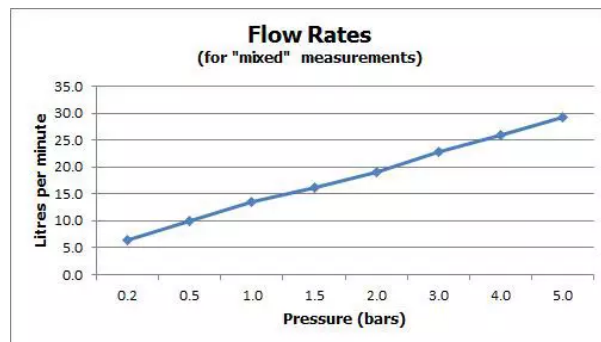


# SPECIFICATION SHEET

COLLECTION: SHOWERING SOLUTIONS  
PRODUCT CODE: WG-SFKIT2-C/P



The flow rate displayed is calculated using ideal system conditions. This result should only be taken as an indication as the flow rate may vary depending on the specific in-situ configuration.

## SHOWER TYPE

Mini Shower Kit

## PLUMBING SYSTEM SUITABILITY

Gravity System, Pumped System, Combination Boiler, Pressurised System

## MOUNTING

Wall Mounted

## WITH AIR-INJECTION TECHNOLOGY

No

## FUNCTIONS

1

## RUB-CLEAN NOZZLES

Yes

## SELF-CLEANING

No

## WITH SHOWER ARM

1

## SHOWER HEAD SIZE

85mm (3") diameter

tel: 01934 744466  
email: sales@vado.com  
www.vado.com

WHERE INSPIRATION FLOWS  
TAPS | SHOWERS | FURNITURE



# SPECIFICATION SHEET

COLLECTION: SHOWERING SOLUTIONS  
PRODUCT CODE: WG-SFKIT2-C/P

**COLLECTION NAME**

Showering Solutions

**FINISH**

Chrome

**MINIMUM OPERATING PRESSURE**

0.2 Bar LP

**MAXIMUM OPERATING PRESSURE**

5.0 Bar HP

**GUARANTEE**

15 Year Guarantee

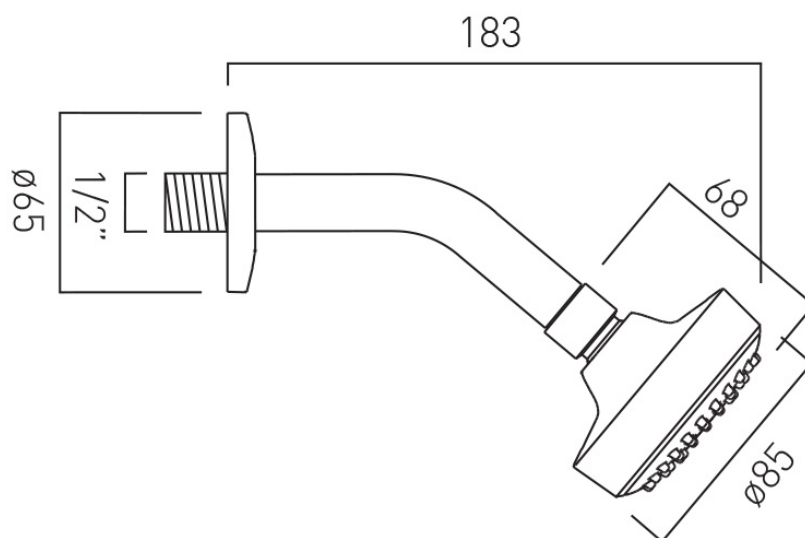
tel: 01934 744466  
email: [sales@vado.com](mailto:sales@vado.com)  
[www.vado.com](http://www.vado.com)

WHERE INSPIRATION FLOWS  
TAPS | SHOWERS | FURNITURE



# TECHNICAL DRAWING

COLLECTION: SHOWERING SOLUTIONS  
PRODUCT CODE: WG-SFKIT2-C/P



tel: 01934 744466  
email: sales@vado.com  
www.vado.com

WHERE INSPIRATION FLOWS  
TAPS | SHOWERS | FURNITURE

