

SPECIFICATION SHEET

COLLECTION: GEOMETRY

PRODUCT CODE: GEOM-250RO-SA-SS



SHOWER TYPE

Shower Head

PLUMBING SYSTEM SUITABILITY

Pumped System, Combination Boiler, Pressurised System

MOUNTING

Wall Mounted

WITH AIR-INJECTION TECHNOLOGY

No

FUNCTIONS

1

RUB-CLEAN NOZZLES

No

SELF-CLEANING

No

WITH SHOWER ARM

1

SHOWER HEAD SIZE

250mm (10") diameter

SPECIFICATION SHEET

COLLECTION: GEOMETRY
PRODUCT CODE: GEOM-250RO-SA-SS

COLLECTION NAME

Geometry

FINISH

Chrome

MINIMUM OPERATING PRESSURE

1.0 Bar MP

MAXIMUM OPERATING PRESSURE

5.0 Bar HP

GUARANTEE

15 Year Guarantee

tel: 01934 744466
email: sales@vado.com
www.vado.com

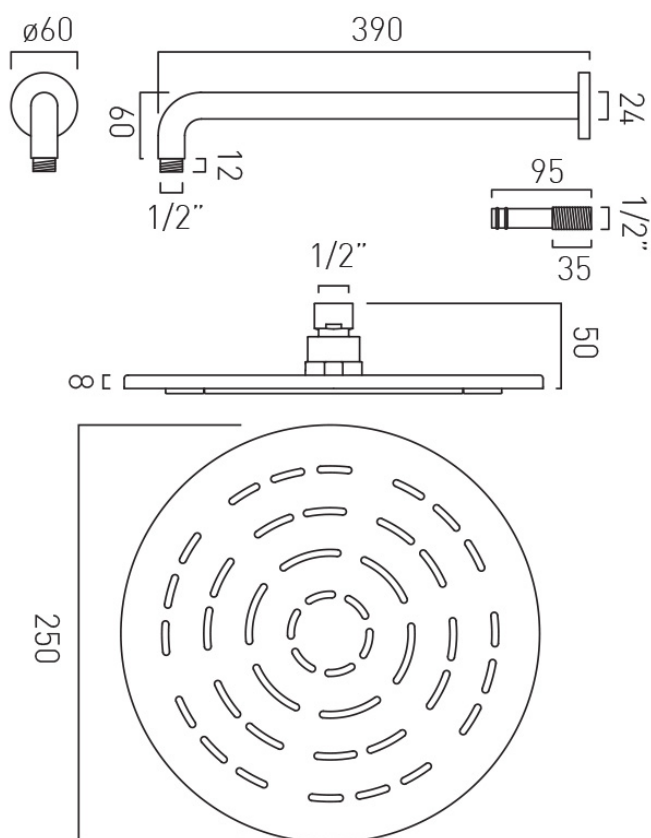
WHERE INSPIRATION FLOWS
TAPS | SHOWERS | ACCESSORIES



TECHNICAL DRAWING

COLLECTION: GEOMETRY

PRODUCT CODE: GEOM-250RO-SA-SS



tel: 01934 744466
email: sales@vado.com
www.vado.com

WHERE INSPIRATION FLOWS
TAPS | SHOWERS | ACCESSORIES

