

# SPECIFICATION SHEET

COLLECTION: AQUABLADE

PRODUCT CODE: AQB-RO/30/SA-C/P



## PLUMBING SYSTEM SUITABILITY

Pumped System, Combination Boiler, Pressurised System

## MOUNTING

Wall Mounted

## WITH AIR-INJECTION TECHNOLOGY

No

## FUNCTIONS

1

## RUB-CLEAN NOZZLES

Yes

## SELF-CLEANING

No

## WITH SHOWER ARM

1

## SHOWER HEAD SIZE

300mm (12") diameter

## COLLECTION NAME

Aquablade

tel: 01934 744466  
email: [sales@vado.com](mailto:sales@vado.com)  
[www.vado.com](http://www.vado.com)

WHERE INSPIRATION FLOWS  
TAPS | SHOWERS | FURNITURE



# SPECIFICATION SHEET

COLLECTION: AQUABLADE

PRODUCT CODE: AQB-RO/30/SA-C/P

## FINISH

Chrome

## MINIMUM OPERATING PRESSURE

1.0 Bar MP

## MAXIMUM OPERATING PRESSURE

5.0 Bar HP

## GUARANTEE

15 Year Guarantee

tel: 01934 744466  
email: [sales@vado.com](mailto:sales@vado.com)  
[www.vado.com](http://www.vado.com)

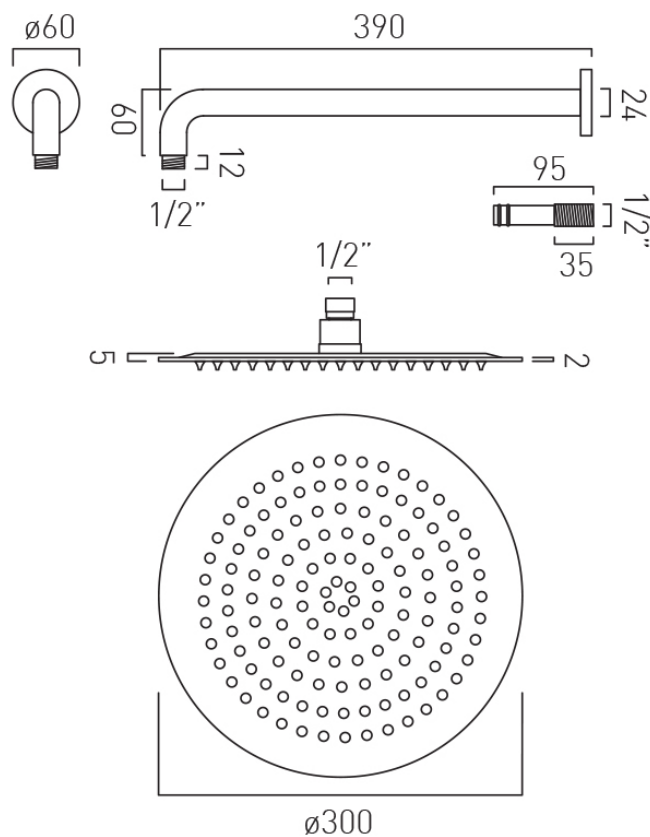
WHERE INSPIRATION FLOWS  
TAPS | SHOWERS | FURNITURE



# TECHNICAL DRAWING

COLLECTION: AQUABLADE

PRODUCT CODE: AQB-RO/30/SA-C/P



tel: 01934 744466  
email: sales@vado.com  
www.vado.com

WHERE INSPIRATION FLOWS  
TAPS | SHOWERS | FURNITURE

