

SPECIFICATION SHEET

COLLECTION: AQUABLADE
PRODUCT CODE: AQB-OV/30/SA-C/P



PLUMBING SYSTEM SUITABILITY

Pumped System, Combination Boiler, Pressurised System

MOUNTING

Wall Mounted

WITH AIR-INJECTION TECHNOLOGY

No

FUNCTIONS

1

RUB-CLEAN NOZZLES

Yes

SELF-CLEANING

No

WITH SHOWER ARM

1

SHOWER HEAD SIZE

200mm x 300mm (8" x 12")

COLLECTION NAME

Aquablade

SPECIFICATION SHEET

COLLECTION: AQUABLADE

PRODUCT CODE: AQB-OV/30/SA-C/P

FINISH

Chrome

MINIMUM OPERATING PRESSURE

1.0 Bar MP

MAXIMUM OPERATING PRESSURE

5.0 Bar HP

GUARANTEE

15 Year Guarantee

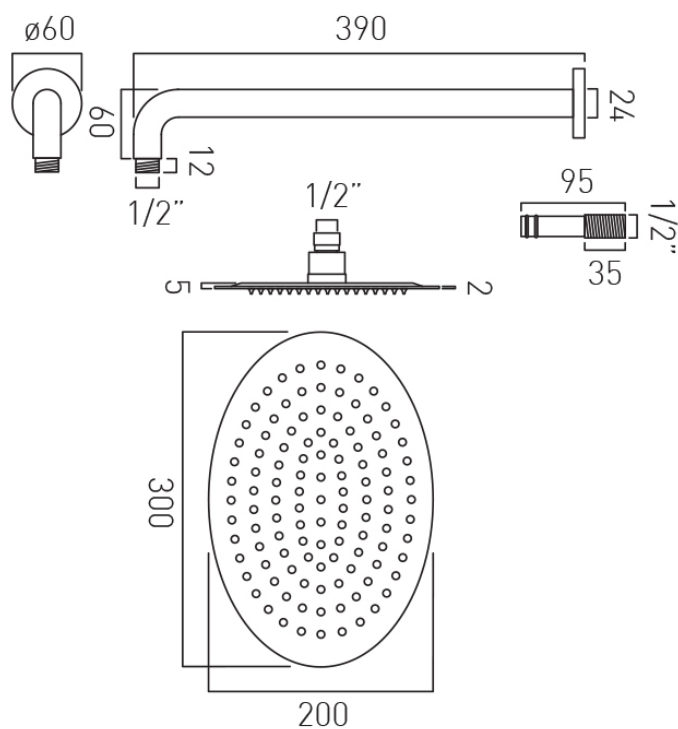
tel: 01934 744466
email: sales@vado.com
www.vado.com

WHERE INSPIRATION FLOWS
TAPS | SHOWERS | FURNITURE



TECHNICAL DRAWING

COLLECTION: AQUABLADE
PRODUCT CODE: AQB-OV/30/SA-C/P



tel: 01934 744466
email: sales@vado.com
www.vado.com

WHERE INSPIRATION FLOWS
TAPS | SHOWERS | FURNITURE

