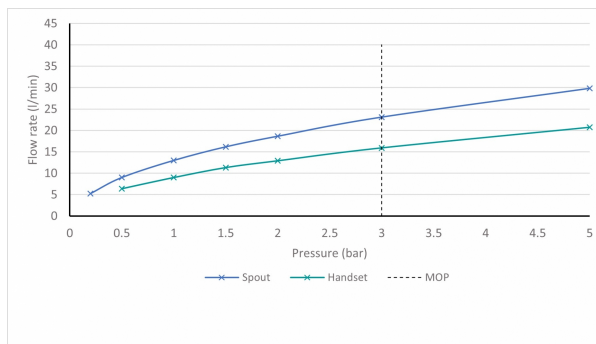


SPECIFICATION SHEET

COLLECTION: ARRONDI
PRODUCT CODE: ARR-133-CP



The flow rate displayed is calculated using ideal system conditions. This result should only be taken as an indication as the flow rate may vary depending on the specific in-situ configuration.

TAP TYPE

Bath Shower Mixer

PLUMBING SYSTEM SUITABILITY

Pumped System, Combination Boiler, Pressurised System

HANDLES

Single Lever

MOUNTING

Floor Mounted

WITH INTEGRATED DIVERTER

No

WITH EASY-FIT BRACKETS

No

WITH SHOWER KIT

Yes

WITH THERMOSTATIC TECHNOLOGY

No

FOR USE WITH BATH FILLER WASTE AND OVERFLOW

No

tel: 01934 744466
email: sales@vado.com
www.vado.com

WHERE INSPIRATION FLOWS
TAPS | SHOWERS | FURNITURE



SPECIFICATION SHEET

COLLECTION: ARRONDI
PRODUCT CODE: ARR-133-CP

MINIMUM OPERATING PRESSURE

1.5 Bar MP

MAXIMUM OPERATING PRESSURE

5.0 Bar HP

RECOMMENDED FLOW REGULATOR

FR-FLEXI/9-PLA

WITH BATH SPOUT

No

WITH AIR-INJECTION TECHNOLOGY

No

WITH WATER FLOW STRAIGHTENER

Yes

WITH WATER FLOW AERATOR

No

CONNECTIONS / FITTINGS

2 x 1/2" female threaded connections

SPARE PARTS

ceramic cartridge C-002-N35

STYLE

Round, Traditional, Contemporary

FINISH

Chrome

COLLECTION NAME

Arrondi

SPECIFICATION SHEET

COLLECTION: ARRONDI
PRODUCT CODE: ARR-133-CP

GUARANTEE
15 Year Guarantee

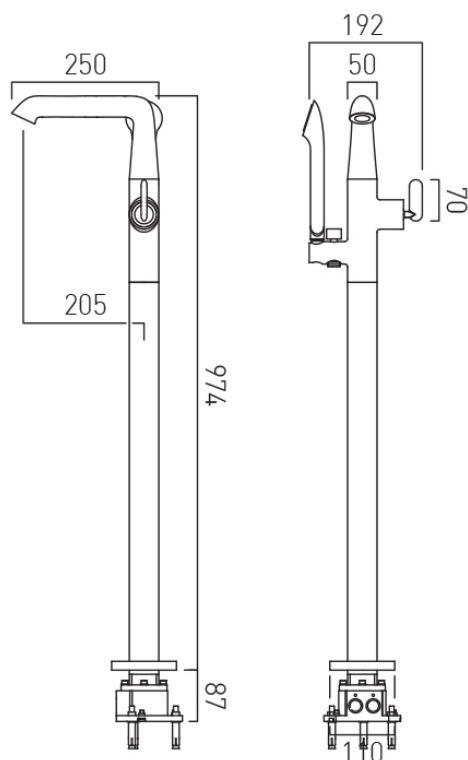
tel: 01934 744466
email: sales@vado.com
www.vado.com

WHERE INSPIRATION FLOWS
TAPS | SHOWERS | FURNITURE



TECHNICAL DRAWING

COLLECTION: ARRONDI
PRODUCT CODE: ARR-133-CP



tel: 01934 744466
email: sales@vado.com
www.vado.com

WHERE INSPIRATION FLOWS
TAPS | SHOWERS | FURNITURE

