

# SPECIFICATION SHEET

COLLECTION: ELEMENTS  
PRODUCT CODE: ELE-182A-C/P



## ACCESSORY TYPE

Soap Dish and Dispenser

## COLLECTION NAME

Elements

## FINISH

Chrome

## GUARANTEE

15 Year Guarantee

## MOUNTING

Wall Mounted

tel: 01934 744466  
email: [sales@vado.com](mailto:sales@vado.com)  
[www.vado.com](http://www.vado.com)

WHERE INSPIRATION FLOWS  
TAPS | SHOWERS | FURNITURE



# SPECIFICATION SHEET

COLLECTION: ELEMENTS  
PRODUCT CODE: ELE-182A-C/P

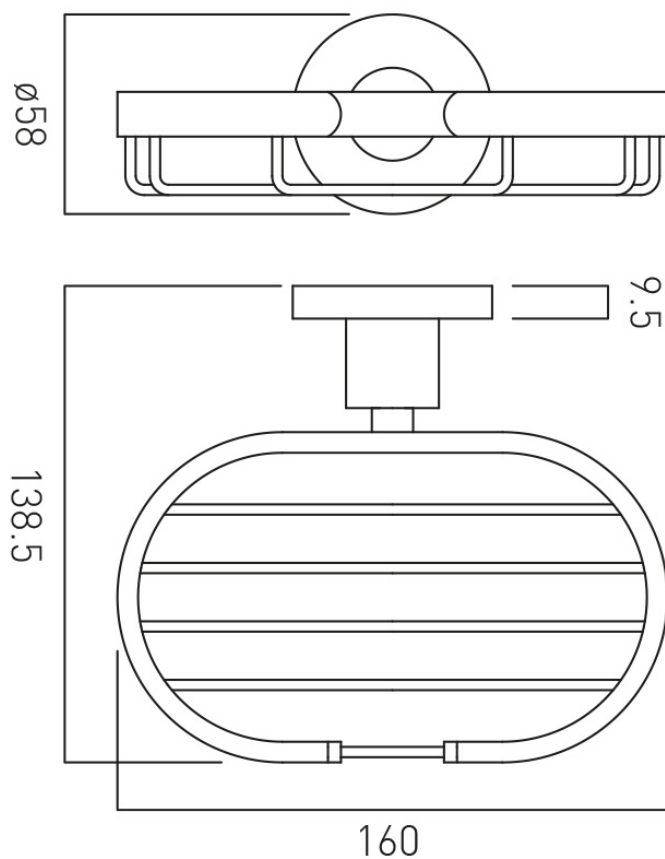
tel: 01934 744466  
email: [sales@vado.com](mailto:sales@vado.com)  
[www.vado.com](http://www.vado.com)

WHERE INSPIRATION FLOWS  
TAPS | SHOWERS | FURNITURE



# TECHNICAL DRAWING

COLLECTION: ELEMENTS  
PRODUCT CODE: ELE-182A-C/P



tel: 01934 744466  
email: sales@vado.com  
www.vado.com

WHERE INSPIRATION FLOWS  
TAPS | SHOWERS | FURNITURE

