

# SPECIFICATION SHEET

COLLECTION: OMIKA NOIR  
PRODUCT CODE: IND-OMI109-PB



#### TAP TYPE

Basin Mixer

#### COLLECTION NAME

Omika Noir

#### FINISH

Polished Black

#### RECOMMENDED FLOW REGULATOR

4 l/m flow regulator fitted as standard

#### MINIMUM OPERATING PRESSURE

1.0 Bar MP

#### MAXIMUM OPERATING PRESSURE

5.0 Bar HP

#### GUARANTEE

15 Year Guarantee

#### WITH ECOTURN COLD START TECHNOLOGY

No

#### NOTES

1/4 turn ceramic disc valves

tel: 01934 744466  
email: [sales@vado.com](mailto:sales@vado.com)  
[www.vado.com](http://www.vado.com)

WHERE INSPIRATION FLOWS  
TAPS | SHOWERS | ACCESSORIES



# SPECIFICATION SHEET

COLLECTION: OMIKA NOIR  
PRODUCT CODE: IND-OMI109-PB

## WITH WATER FLOW STRAIGHTENER

No

## WITH WATER FLOW AERATOR

Yes

## CONNECTIONS / FITTINGS

2 x 1/2" female inlets

## SPARE PARTS

2 x FL-201-LTC

## HOLES

2 Hole

## MOUNTING

Wall Mounted

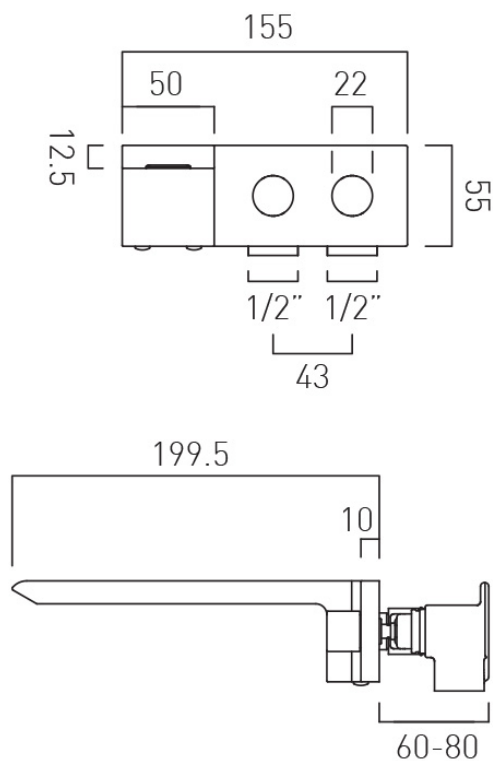
## PLUMBING SYSTEM SUITABILITY

Pumped System, Combination Boiler, Pressurised System



# TECHNICAL DRAWING

COLLECTION: OMIKA NOIR  
PRODUCT CODE: IND-OMI109-PB



tel: 01934 744466  
email: sales@vado.com  
www.vado.com

WHERE INSPIRATION FLOWS  
TAPS | SHOWERS | ACCESSORIES

