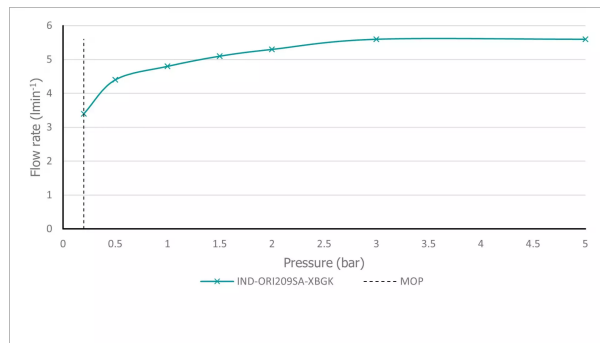
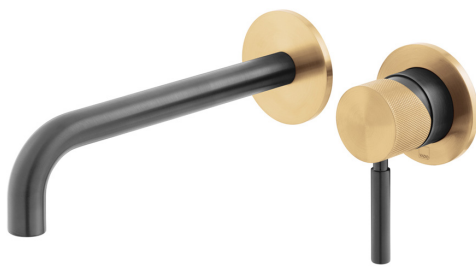


SPECIFICATION SHEET

COLLECTION: KNURLED X FUSION
PRODUCT CODE: IND-ORI209SA-XBGK



The flow rate displayed is calculated using ideal system conditions. This result should only be taken as an indication as the flow rate may vary depending on the specific in-situ configuration.

TAP TYPE

Basin Mixer

COLLECTION NAME

Knurled X Fusion

FINISH

Black/Gold

RECOMMENDED FLOW REGULATOR

5 l/m flow regulator fitted as standard when installing below 1.0 bar pressure, removal of the flow regulator is required

MINIMUM OPERATING PRESSURE

0.2 Bar LP

MAXIMUM OPERATING PRESSURE

5.0 Bar HP

GUARANTEE

15 Year Guarantee

HANDLES

Single Lever

WITH ECOTURN COLD START TECHNOLOGY

No

tel: 01934 744466
email: sales@vado.com
www.vado.com

WHERE INSPIRATION FLOWS
TAPS | SHOWERS | ACCESSORIES



SPECIFICATION SHEET

COLLECTION: KNURLED X FUSION
PRODUCT CODE: IND-ORI209SA-XBGK

NOTES

tile-to mortar guard included

WITH WATER FLOW STRAIGHTENER

No

WITH WATER FLOW AERATOR

Yes

INSTALLATION TOLERANCES

min-max wall mount 53-70mm

CONNECTIONS / FITTINGS

2 x 1/2" inlets

SPARE PARTS

ceramic cartridge CAR-K35B

WALL HOLE DRILL DIAMETER

Spout: 40-48mm Handle: 40-50mm

HOLES

2 Hole

MOUNTING

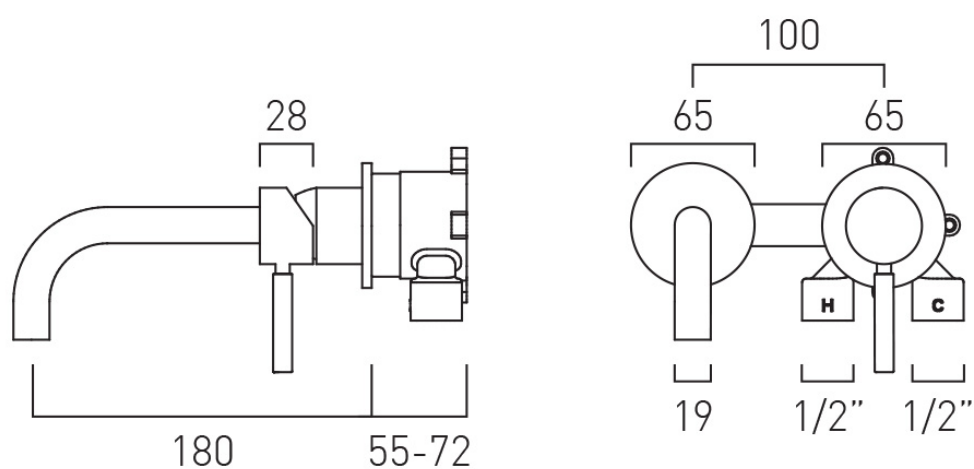
Wall Mounted

PLUMBING SYSTEM SUITABILITY

Gravity System, Pumped System, Combination Boiler, Pressurised System

TECHNICAL DRAWING

COLLECTION: KNURLED X FUSION
PRODUCT CODE: IND-ORI209SA-XBGK



tel: 01934 744466
email: sales@vado.com
www.vado.com

WHERE INSPIRATION FLOWS
TAPS | SHOWERS | ACCESSORIES

