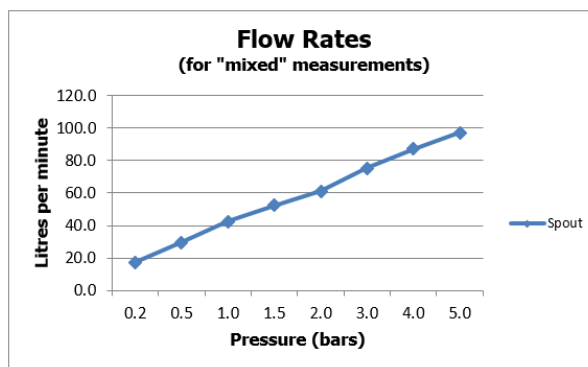


# SPECIFICATION SHEET

COLLECTION: KNURLED ACCENTS  
PRODUCT CODE: IND-ORI237-BLKK



The flow rate displayed is calculated using ideal system conditions. This result should only be taken as an indication as the flow rate may vary depending on the specific in-situ configuration.

## TAP TYPE

Bath Filler

## STYLE

Knurled

## WITH WATER FLOW STRAIGHTENER

No

## HOLES

2 Hole

## CONNECTIONS / FITTINGS

2 x 3/4" 48mm fitted tails

## MOUNTING

Deck Mounted

## SPARE PARTS

cold ceramic cartridge C-302-RTC hot ceramic cartridge C-302-LTC

## PLUMBING SYSTEM SUITABILITY

Gravity System, Pumped System, Combination Boiler, Pressurised System

## DECK HOLE DRILL DIAMETER

2 x 28-30mm

tel: 01934 744466  
email: sales@vado.com  
www.vado.com

WHERE INSPIRATION FLOWS  
TAPS | SHOWERS | ACCESSORIES



# SPECIFICATION SHEET

COLLECTION: KNURLED ACCENTS  
PRODUCT CODE: IND-ORI237-BLKK

## COLLECTION NAME

Knurled Accents

## FINISH

Brushed Black

## MAXIMUM OPERATING PRESSURE

5.0 Bar HP

## MINIMUM OPERATING PRESSURE

0.2 Bar LP

## GUARANTEE

15 Year Guarantee

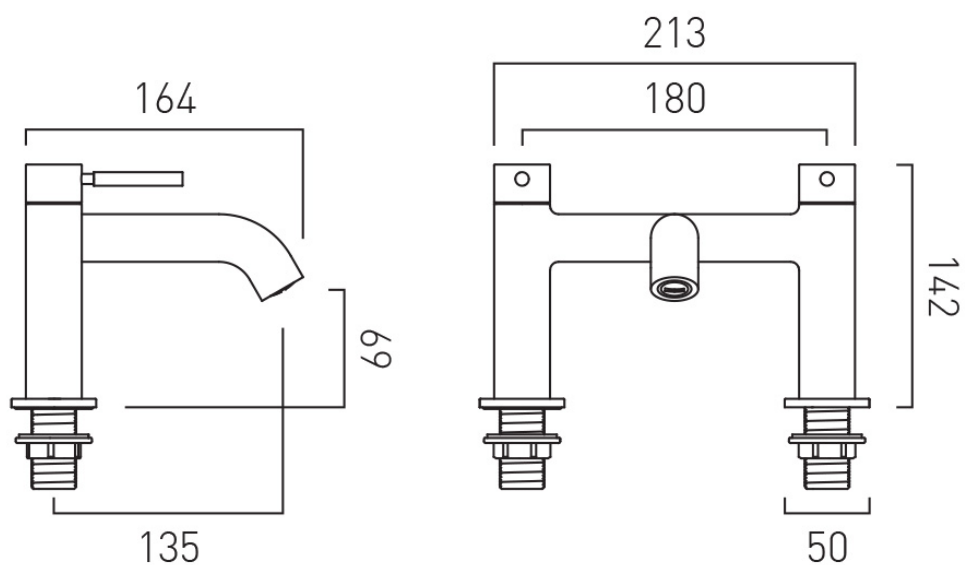
tel: 01934 744466  
email: [sales@vado.com](mailto:sales@vado.com)  
[www.vado.com](http://www.vado.com)

WHERE INSPIRATION FLOWS  
TAPS | SHOWERS | ACCESSORIES



# TECHNICAL DRAWING

COLLECTION: KNURLED ACCENTS  
PRODUCT CODE: IND-ORI237-BLKK



tel: 01934 744466  
email: sales@vado.com  
www.vado.com

WHERE INSPIRATION FLOWS  
TAPS | SHOWERS | ACCESSORIES

