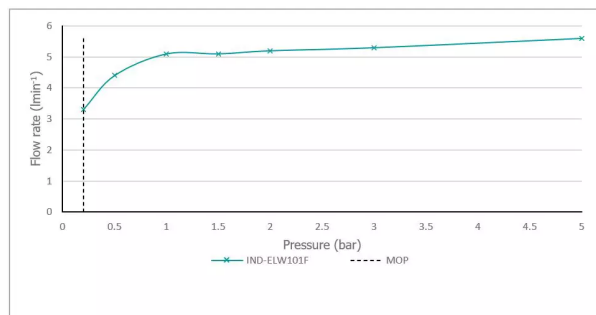


# SPECIFICATION SHEET

COLLECTION: ELEMENTS

PRODUCT CODE: IND-ELW101F-BLK



The flow rate displayed is calculated using ideal system conditions. This result should only be taken as an indication as the flow rate may vary depending on the specific in-situ configuration.

## TAP TYPE

Basin Mixer

## FINISH

Brushed Black

## COLLECTION NAME

Elements

## GUARANTEE

15 Year Guarantee

## PLUMBING SYSTEM SUITABILITY

Gravity System, Pumped System, Combination Boiler, Pressurised System

## MINIMUM OPERATING PRESSURE

0.2 Bar LP

## MAXIMUM OPERATING PRESSURE

5.0 Bar HP

## HOLES

3 Hole

## MOUNTING

Deck Mounted

tel: 01934 744466  
email: sales@vado.com  
www.vado.com

WHERE INSPIRATION FLOWS  
TAPS | SHOWERS | FURNITURE



# SPECIFICATION SHEET

COLLECTION: ELEMENTS

PRODUCT CODE: IND-ELW101F-BLK

## WASTE

With Pop-up Waste

## RECOMMENDED FLOW REGULATOR

5 l/m flow regulator fitted as standard

## WITH ECOTURN COLD START TECHNOLOGY

No

## WITH WATER FLOW STRAIGHTENER

No

## WITH WATER FLOW AERATOR

Yes

## CONNECTIONS / FITTINGS

2 x 1/2" 600mm flexipipe connections

## DECK HOLE DRILL DIAMETER

Valve: 27mm Spout: 30mm

## SPARE PARTS

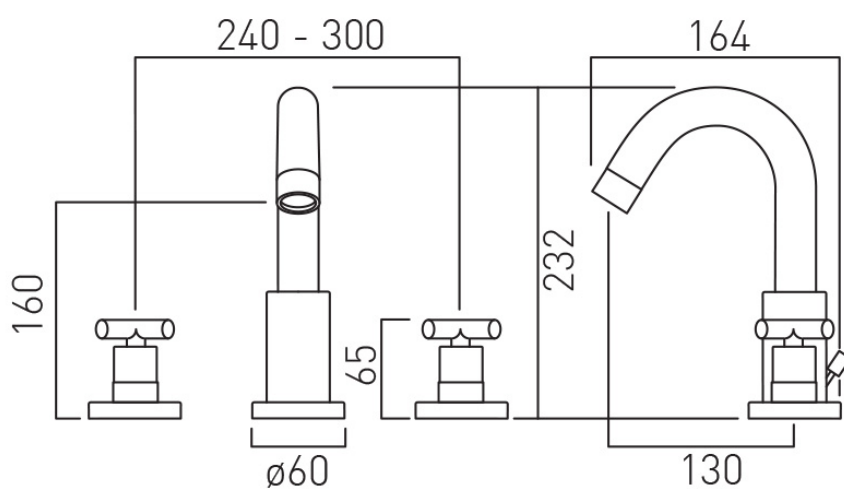
cold ceramic cartridge C-206-RTC hot ceramic cartridge C-206-LTC



# TECHNICAL DRAWING

COLLECTION: ELEMENTS

PRODUCT CODE: IND-ELW101F-BLK



tel: 01934 744466  
email: sales@vado.com  
www.vado.com

WHERE INSPIRATION FLOWS  
TAPS | SHOWERS | FURNITURE

