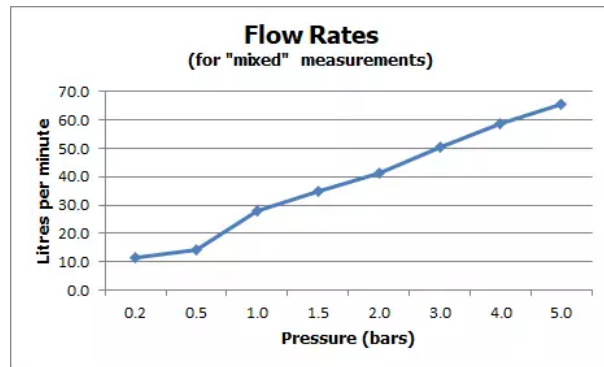


SPECIFICATION SHEET

COLLECTION: ELEMENTS

PRODUCT CODE: IND-ELW135/NH-BRG



The flow rate displayed is calculated using ideal system conditions. This result should only be taken as an indication as the flow rate may vary depending on the specific in-situ configuration.

TAP TYPE

Bath Filler

DECK HOLE DRILL DIAMETER

Valve: 35mm Spout: 30mm

WITH WATER FLOW STRAIGHTENER

Yes

HOLES

3 Hole

WITH SWIVEL SPOUT

with Fixed Spout

MOUNTING

Deck Mounted

CONNECTIONS / FITTINGS

2 x 3/4" x 3/4" 600mm flexipipe connections 3/4" male inlet connections

PLUMBING SYSTEM SUITABILITY

Pumped System, Combination Boiler, Pressurised System

SPARE PARTS

cold ceramic cartridge C-303-RTC hot ceramic cartridge C-303-LTC

tel: 01934 744466
email: sales@vado.com
www.vado.com

WHERE INSPIRATION FLOWS
TAPS | SHOWERS | ACCESSORIES



SPECIFICATION SHEET

COLLECTION: ELEMENTS
PRODUCT CODE: IND-ELW135/NH-BRG

COLLECTION NAME

Elements

FINISH

Brushed Gold

MAXIMUM OPERATING PRESSURE

5.0 Bar HP

MINIMUM OPERATING PRESSURE

1.0 Bar MP

GUARANTEE

15 Year Guarantee

tel: 01934 744466
email: sales@vado.com
www.vado.com

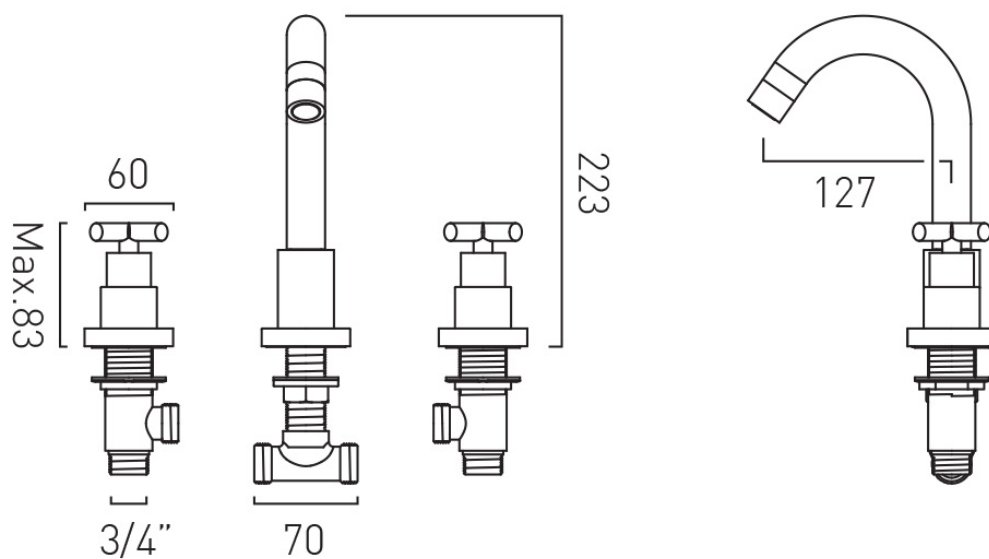
WHERE INSPIRATION FLOWS
TAPS | SHOWERS | ACCESSORIES



TECHNICAL DRAWING

COLLECTION: ELEMENTS

PRODUCT CODE: IND-ELW135/NH-BRG



tel: 01934 744466
email: sales@vado.com
www.vado.com

WHERE INSPIRATION FLOWS
TAPS | SHOWERS | ACCESSORIES

