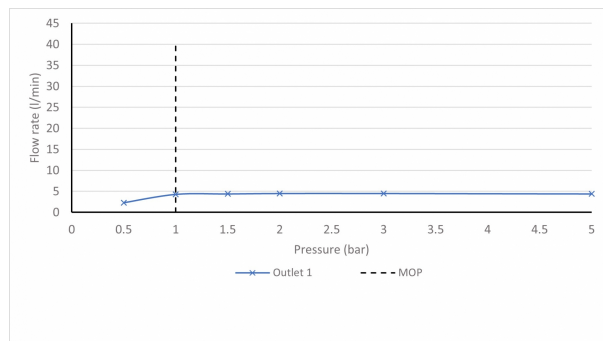


# SPECIFICATION SHEET

COLLECTION: I-TECH

PRODUCT CODE: IND-IRDSPOUT-BRG



The flow rate displayed is calculated using ideal system conditions. This result should only be taken as an indication as the flow rate may vary depending on the specific in-situ configuration.

## TAP TYPE

Infra-red

## PLUMBING SYSTEM SUITABILITY

Pumped System, Combination Boiler, Pressurised System

## MOUNTING

Deck Mounted

## WITH WATER FLOW AERATOR

No

## NOTES

Mains or battery operated  
Takes standard AA batteries  
Pair with the PRO-5001 for temperature control

## COLLECTION NAME

I-Tech

## FINISH

Brushed Gold

## RECOMMENDED FLOW REGULATOR

4 l/m flow regulator fitted as standard

## MINIMUM OPERATING PRESSURE

1.0 Bar MP

tel: 01934 744466  
email: sales@vado.com  
www.vado.com

WHERE INSPIRATION FLOWS  
TAPS | SHOWERS | ACCESSORIES



# SPECIFICATION SHEET

COLLECTION: I-TECH

PRODUCT CODE: IND-IRDSPOUT-BRG

MAXIMUM OPERATING PRESSURE

5.0 Bar HP

GUARANTEE

5 Year Guarantee

tel: 01934 744466  
email: [sales@vado.com](mailto:sales@vado.com)  
[www.vado.com](http://www.vado.com)

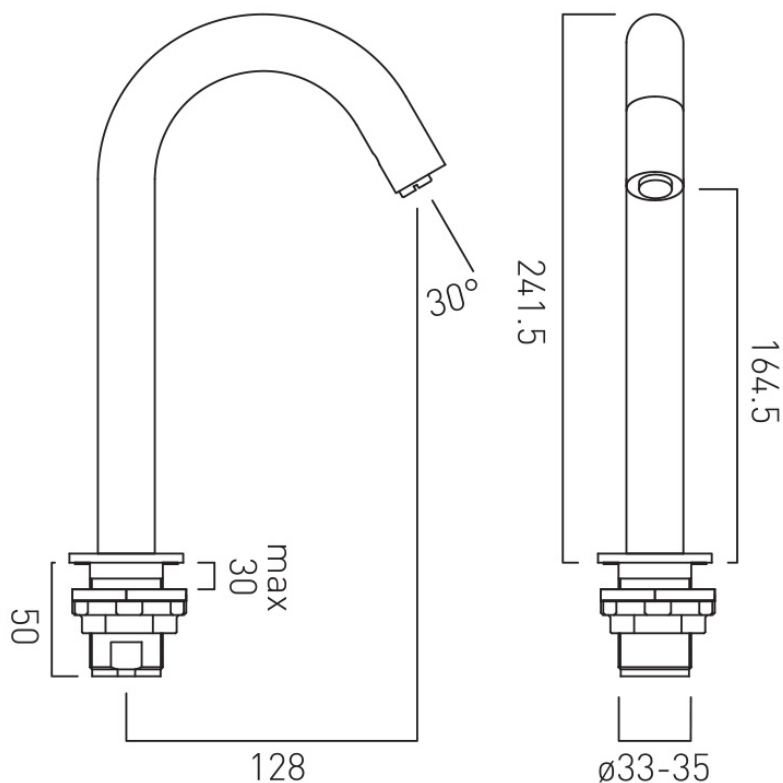
WHERE INSPIRATION FLOWS  
TAPS | SHOWERS | ACCESSORIES



# TECHNICAL DRAWING

COLLECTION: I-TECH

PRODUCT CODE: IND-IRDSPOUT-BRG



tel: 01934 744466  
email: sales@vado.com  
www.vado.com

WHERE INSPIRATION FLOWS  
TAPS | SHOWERS | ACCESSORIES

